

FANUC

kitagawa

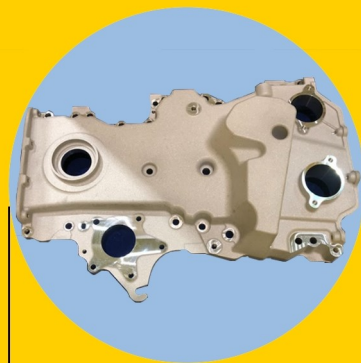
5-Axis Machine ROBODRILL

α -D*i*B5_{ADV} **Plus** series



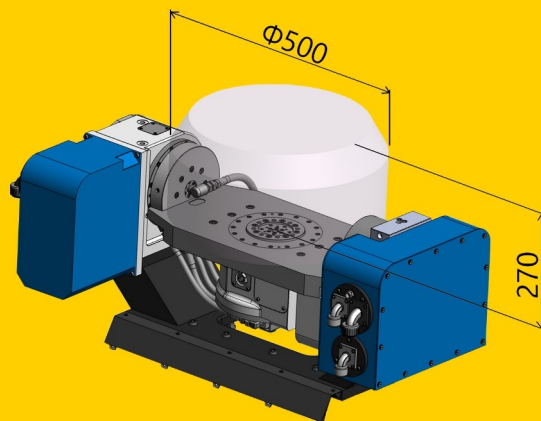
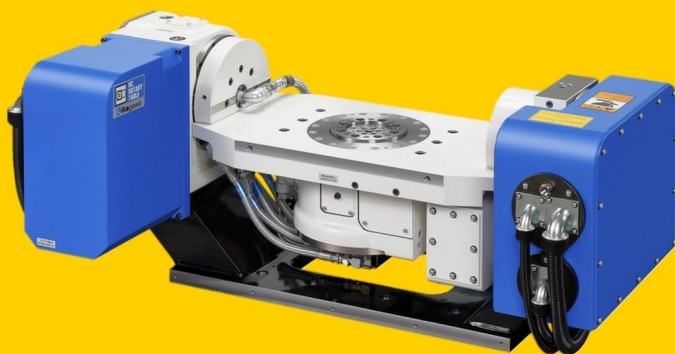
Roller gear & cam
mechanism NC rotary table

RKT500



Jig area $\Phi 500$

Consolidation of machining processes for large aluminium workpieces using a tilting NC rotary table equipped with a roller gear cam mechanism



Capable up to $\Phi 500 \times H 270$ mm workpieces
(in the case of α -D21MiB5_{ADV} Plus, 300mm high column)

Specifications

Tilting angle	Table diameter	Centre hole diameter	Through hole diameter	Centre height	Clamping torque		Allowable pressure	Motor axis reduced inertia		Servo motor	
					Rotating axis	Tilting axis		Rotating axis	Tilting axis	Rotating axis	Tilting axis
		mm	mm	mm	N·m	N·m	MPa	kg·m ²	kg·m ²	αiS 4/5000-B	βiS 12/3000-B
-30°~+120°	φ 134	φ 80	φ 80	310	600	740	0.7	0.0004	0.00511		

Total reduction ratio		Max. rotation speed		Allowable work inertia	Indexing accuracy		Repeatability		Allowable mass of work	Max. work diameter	Mass of product
Rotating axis	Tilting axis	Rotating axis	Tilting axis		Rotating axis	Tilting axis	Rotating axis	Tilting axis			
		min ⁻¹	min ⁻¹	kg·m ²	sec	sec	sec	sec	kg	mm	kg
1/50	1/20	※1 80 (75)	※2 70 (50)	1.8	30	30	4	4	100	500	285

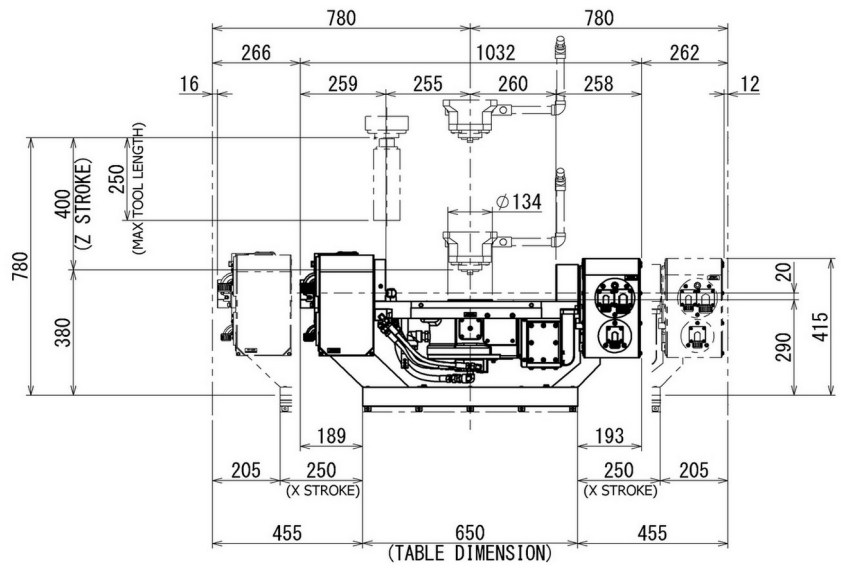
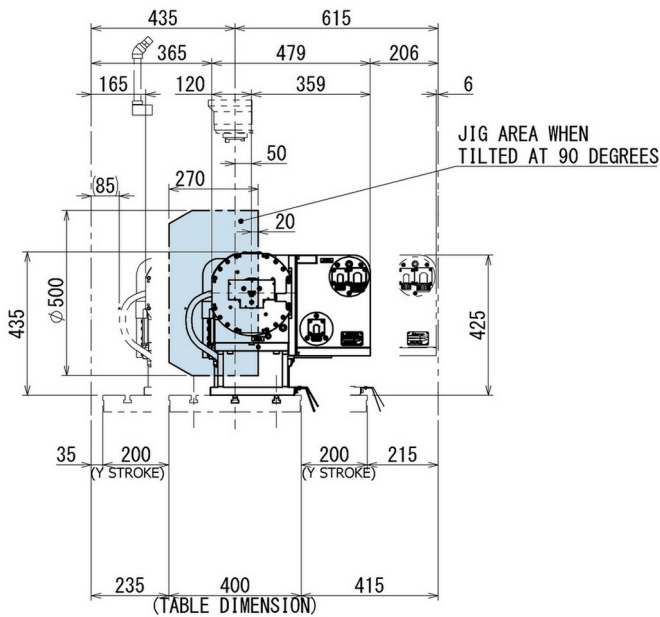
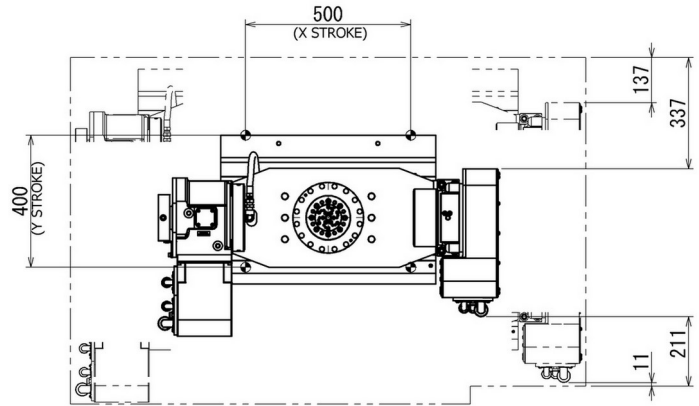
※1 When the eccentric torque of work piece is more than 50 Nm, max. rotating speed of the rotating axis becomes the value in ().

※2 When the workpiece mass is more than 50 kg, max. rotating speed of the tilting axis becomes the value in ().

※3 Clamping torques above are at pneumatic pressure of 0.5 MPa.

Installation diagram

Note: This installation diagram is specifically for the Fanuc α-D14/21/28MiB5_{ADV} Plus with 300mm high-column, single front door, and no side automatic door. For other models, including L-type with 500mm Y-stroke, please enquire separately.



For technical information on Kitagawa products, visit the Kitagawa Web Showroom. <https://prod.kiw.co.jp/exhibition/mtools/en>



<https://www.kiw.co.jp> <https://www.kitagawa.com> <https://www.kitagawa.com.cn>

Kitagawa Corporation Kitagawa Global hand Company

77-1 Motomachi, Fuchu-shi, Hiroshima-pref. 726-8610, Japan Tel. +81 847-40-0561 Fax. +81 847-45-8911

- Specifications and outside appearance are subject to change without notice due to ongoing research and development.
- The color of the actual product may be different from the catalogue's due to printing matters.
- Catalogue contents as of 2024.12
- The products herein are controlled under Japanese Foreign Exchange and Foreign Trade Control Act. In the event of importing and/or exporting the products, You are obliged to consult KITAGAWA as well as your government for the related regulation prior to any transaction.