

INSTRUCTION MANUAL

MODEL NPGT10S

MODEL NPGT12S

**Thin 2-jaw Parallel Gripper With Length
Measuring Scale**



DANGER

- This Instruction Manual has been prepared for intended use for production engineers and maintenance persons who operate this product. When the beginners use this product, be sure to receive the guidance from skilled persons, sales agents, or us in advance.
- Before installing, using, or maintaining this product, read carefully the safety precautions given in this manual so as to understand them completely. If you do not heed given instructions or safety precautions, serious human accidents, death, or physical damage may occur.
- Store this manual with care in the specified place at hand, and reread it as necessary for correct use of the product.
- Please contact the sales agent if you have any uncertainty or doubt about this manual.

Preface

This manual provides detailed information on the thin 2-jaw parallel gripper with the length measuring sensor (model NPGT-S) so that you can understand its performance and functions and use it safely and correctly.

Before using this gripper, read this manual and the instruction manual of the thin 2-jaw parallel gripper (model NPGT) carefully to understand how to use the gripper correctly. Always follow the instructions and warnings given in **“Important Safety Precautions”** and **“Precautions for Use”**. Failure to follow these precautions could result in serious human accidents.

Terms and Symbols Used for Safety Messages

In this manual, handling precautions that are considered especially important are classified and displayed as shown below according to the degree of risk (seriousness of harm) that could result. Please completely understand the meaning of these terms and follow the instructions for safe operation.

Safety Alert Symbol

This triangle is a safety alert symbol used to alert you to potential safety hazards. To avoid death or injuries that could occur, follow the safety messages given with this safety alert symbol.



Failure to follow the safety precautions below will result in death or serious injuries.



Failure to follow the safety precautions below could result in death or serious injuries.



Failure to follow the safety precautions below may result in minor or moderate injuries.



Indicates instructions which, if you do not heed given instructions, could result in damage to the product or shortened service life, or damage to peripheral equipment.

Disclaimer and How to Use Instruction Manual

This product is suitable for gripping a conveyed workpiece by being installed on the robot or loader. The product is equipped with the jaws to grip the conveyed workpiece and they are operated by air pressure. For any other applications, please contact us.

Kitagawa Corporation shall not be held liable for human accidents, death, damage, or loss that occurred due to a failure to follow the safety precautions given in this manual.

This manual does not predict all potential hazards in operation, inspection, and maintenance under all environmental conditions. There will be an infinite number of matters that cannot or must not be done, and it is impossible for the manual to cover all of them.

Therefore, the matters, unless otherwise mentioned clearly as “can be done” or “may be done” in this manual, should be considered as “cannot be done” or “must not be done”. Please contact us or our agents if you have an uncertainty about safety when you try to perform operation, inspection, or maintenance not mentioned in this manual.

Warranty and Disclaimer

The product is warranted for one year after the date of delivery.

All parts used shall be those delivered by Kitagawa Corporation. Kitagawa Corporation shall not be held liable for human accidents, death, damage, or loss that occurred due to the use of parts which are not genuine parts manufactured by Kitagawa. Also, the use of parts other than Kitagawa’s genuine parts will void the warranty.

Contents

1. Structural Drawing and Parts List	4
1-1. Model indication	
1-2. Structural drawing	
1-3. Seal list	
1-4. Parts list	
2. Important Safety Precautions	8
3. Configuration	12
3-1. Line driver output	
3-2. TTL output	
4. Use	15
5. Handling of Lead Cable	17
5-1. Lead Cable Pull-out Direction	
5-2. Fixing of Lead Cable	
6. How to Use Length Measuring Function	22
7. Precautions With Regard to Installation	22
8. Troubleshooting	23
8-1. Problems and countermeasures	
8-2. Contact address in case of trouble	
9. Others	24
9-1. Standards and directives to which the gripper conforms	
9-2. Disposal of gripper	

1. Structural Drawing and Parts List

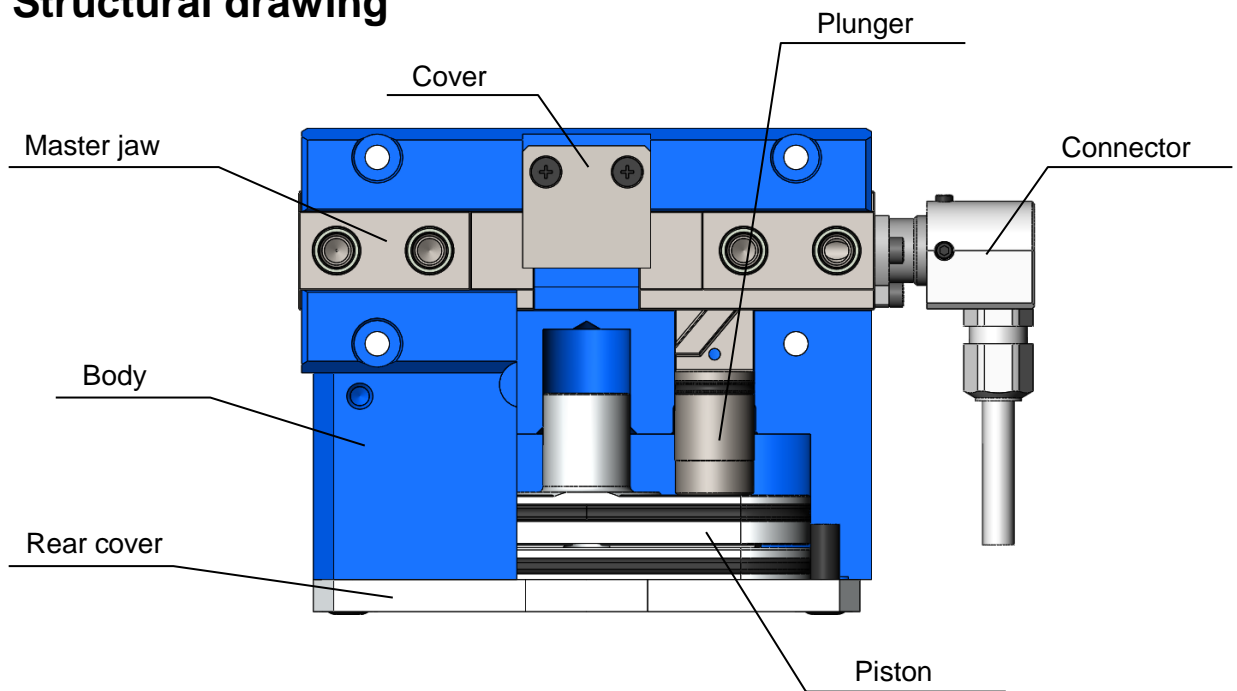
1-1. Model indication

The model indication is as follows:

NPGT 10 S

Series		Size			Length measuring sensor	
NPGT	NBR seal	10	12		Nil	Not equipped
					S	Equipped

1-2. Structural drawing

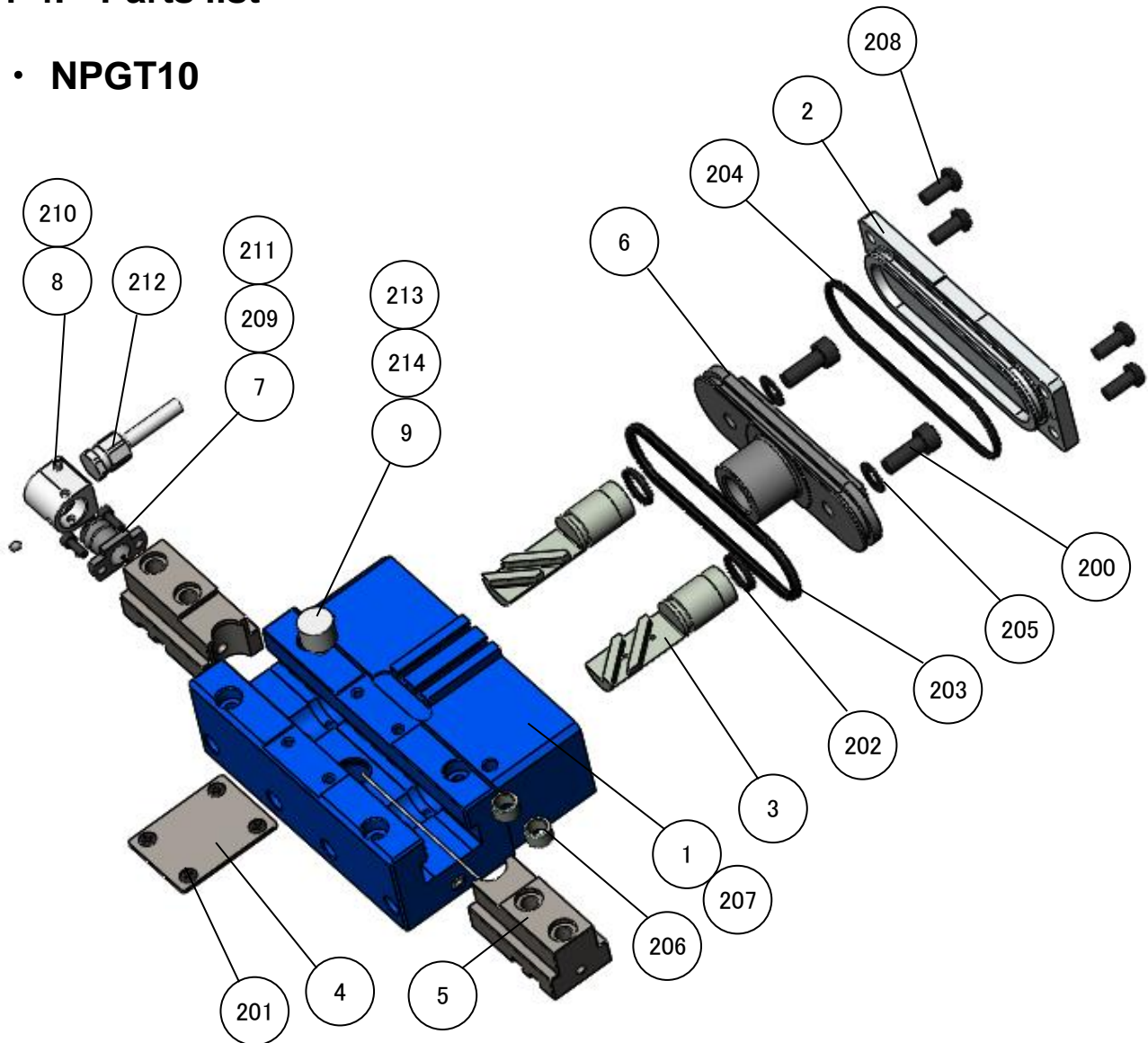


1-3. Seal list

Model	No.						
	202	203	204	205	209	214	216
NPGT10	X-ring X014	X-ring X146	O-ring S71	Seal washer 6S1	O-ring S10	O-ring S11.2	-
NPGT12	X-ring X018	X-ring X153	O-ring S95	Seal washer 10S1	O-ring S10	O-ring S12.5	Seal washer 5S1

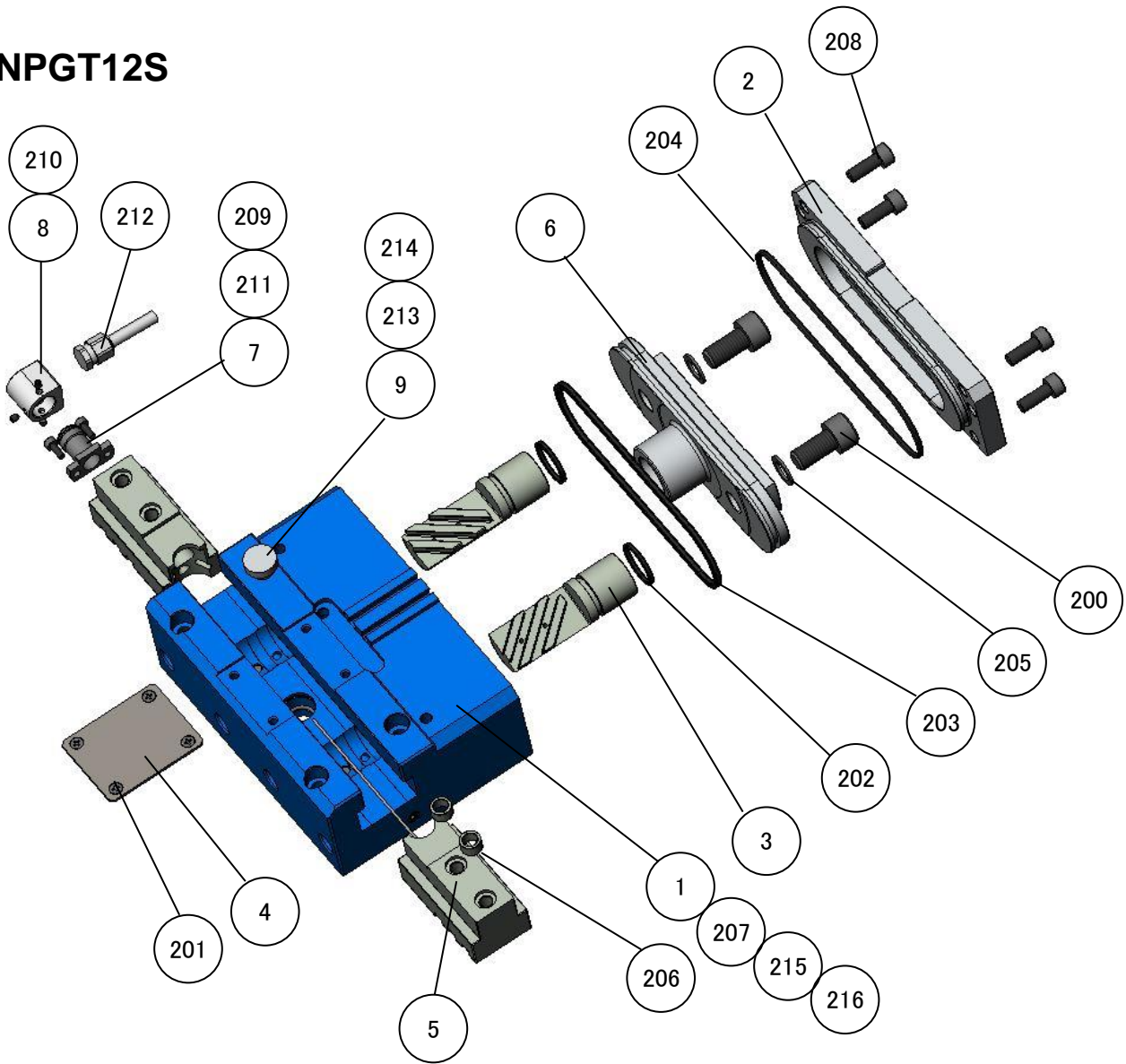
1-4. Parts list

• NPGT10



No.	Parts name	Quantity	No.	Parts name	Quantity
1	Body	1	200	Plunger fixing bolt	2
2	Rear cover	1	201	Cover fixing bolt	4
3	Plunger L (R)	1 (1)	202	Shaft packing	2
4	Cover	1	203	Piston packing	1
5	Master jaw L (R)	1 (1)	204	O-ring	1
6	Piston	1	205	W seal	2
7	Sensor block	1	206	Positioning bushing	4
8	Connector	1	207	Setscrew	8
9	Collar	1	208	Rear cover fixing bolt	4
212	CAPCON (cable gland)	1	209	O-ring	1
213	Snap ring	1	210	Cone point setscrew	3
214	O-ring	1	211	Sensor block fixing bolt	2

NPGT12S



No.	部品名称	個数	No.	部品名称	個数
1	Body	1	200	Plunger fixing bolt	2
2	Rear cover	1	201	Cover fixing bolt	4
3	Plunger L (R)	1(1)	202	Shaft packing	2
4	Cover	1	203	Piston packing	1
5	Master jaw L (R)	1(1)	204	O-ring	1
6	Piston	1	205	Seal washer 10S1	2
7	Sensor block	1	206	Positioning bushing	4
8	Connector	1	207	Setscrew	5
9	Collar	1	208	Rear cover fixing bolt	4
213	Snap ring	1	209	O-ring	1
214	O-ring	1	210	Cone point setscrew	3
215	Hexagon socket button head screw	2	211	Sensor block fixing bolt	2
216	Seal washer 5S1	2	212	CAPCON (cable gland)	1

2. Important Safety Precautions

Important safety precautions that particularly you should know or follow are summarized below. Please read them before starting to use the product.



DANGER

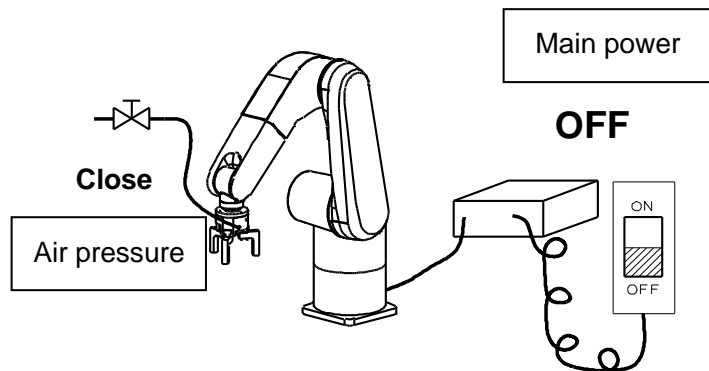
Failure to follow the safety precautions below will result in death or serious injuries.



Be sure to turn off the main power supply when installing, checking, oiling, or replacing the gripper.

Also, shut down the air pressure in the work area.

- During work, the robot or gripper could move abruptly and collide with your body.
- After shutting down the air pressure, release the air pressure remaining inside the gripper.



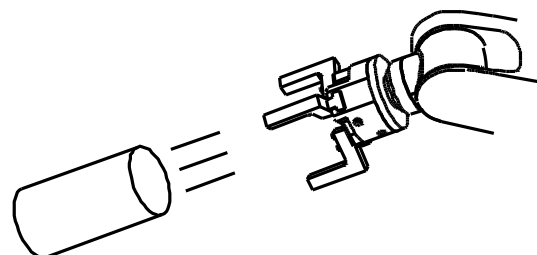
When installing, checking, oiling, or replacing the gripper, post a sign or notice, or provide a fence, and so on to notify people around the machine that work is in progress.

- Notify people around the machine that work is in progress and take measures to keep people other than the operator out of the work area.
Machine motion not predicted by a third party could cause serious danger.



Take safety measures so that the operator is not injured even if the conveyed workpiece flies out due to the reduced air pressure.

- Observe the legal safety standards defined by each country, such as installation of safeguards or fall prevention covers.





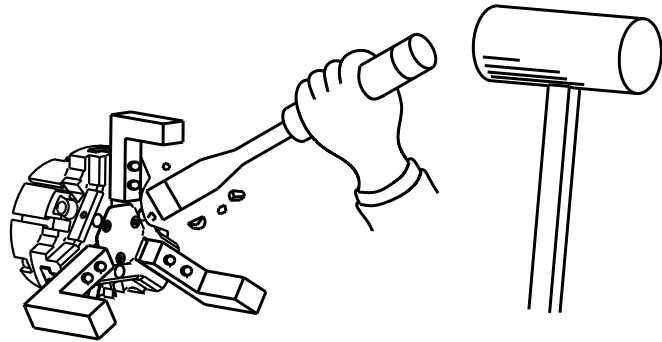
DANGER

Failure to follow the safety precautions below will result in death or serious injuries.



Do not modify the gripper.

- Not only the gripper is damaged but also the gripper and fixed workpiece may fly out.



If using the gripper as a workpiece fixture when the workpiece is drilled, deburred, welded, or modified additionally, confirm the specifications.

- If the gripper is used out of the specifications, not only the gripper is damaged but also the fixed workpiece may fly out.



Be sure to tighten the bolts with the specified torque.

- Lack of bolt quantity or tightening torque, or excessive torque could damage the bolt, causing the gripper or conveyed workpiece to fly out.
- When tightening the bolts, fix the gripper so that it will not rotate. Failure to do so may result in injury by slipping your hands when tightening the bolts.

Other than plunger fixing bolt	Plunger fixing bolt
--------------------------------	---------------------

Bolt size	Tightening torque		Bolt size	Tightening torque	
M3	1.2	N·m	M5	6.8	N·m
M4	2.7	N·m	M6	12.7	N·m
M5	5.5	N·m	M8	33.3	N·m
M6	10.8	N·m	M10	72.6	N·m
M8	26.5	N·m			
M10	60	N·m			

Hexagon socket button head screw

Bolt size	Tightening torque	
M5	4.8	N·m



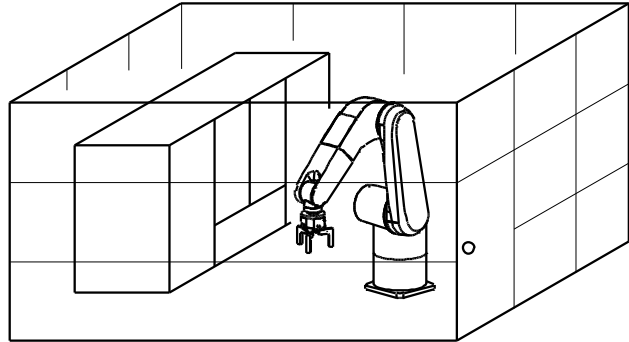
DANGER

Failure to follow the safety precautions below will result in death or serious injuries.



Use the gripper in accordance with the legal safety standards.

- Use the gripper in accordance with the legal safety standards defined by each country, such as installation of safeguards or safety covers.





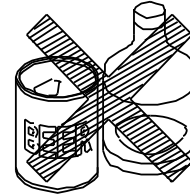
WARNING

Failure to follow the safety precautions below will result in death or serious injuries.



Do not operate the machine after drinking alcohol or taking medicine.

- Impaired judgment or operation mistake may cause serious hazards.



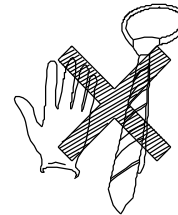
Alcohol

Medicine



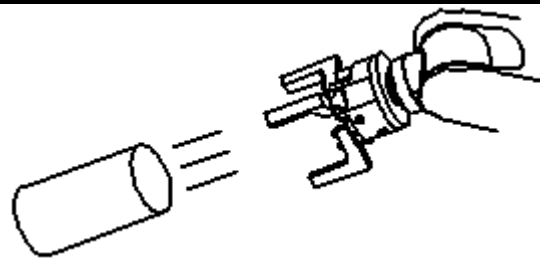
Do not wear clothing or accessories such as a necktie, necklace, etc. which are easy to be caught in.

- You may be caught in the gripper.

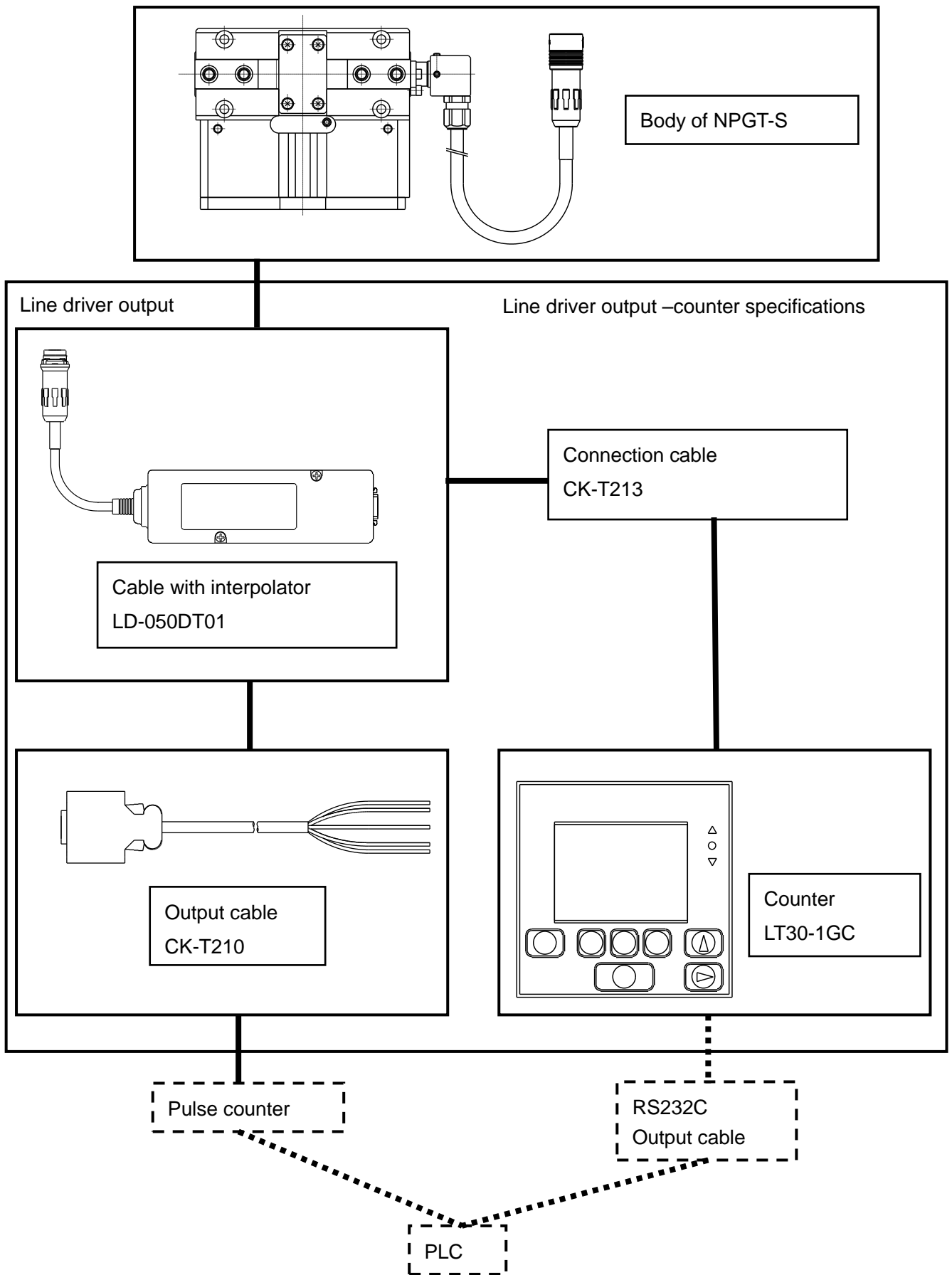


Use the gripper within the range of specification values.

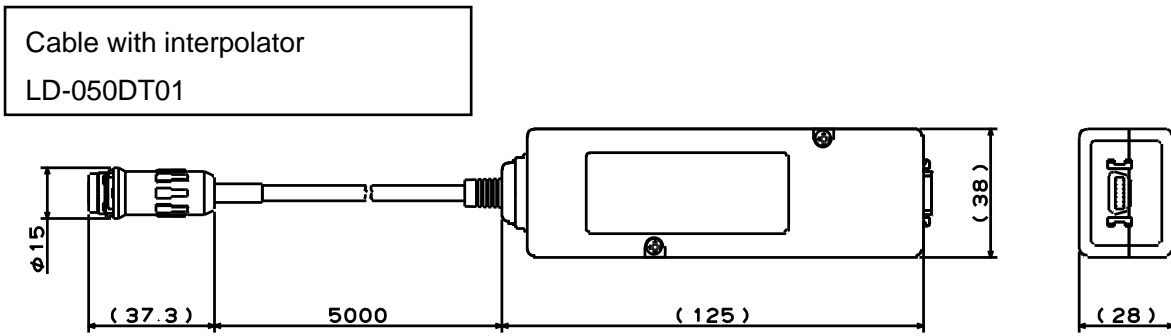
- Have the gripper grip the conveyed workpiece at the position of its center of gravity.
- If not, not only the gripper is damaged but also the conveyed workpiece may fly out.



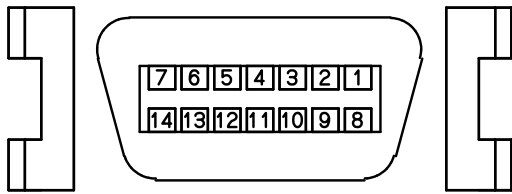
3. Configuration



3-1 Line driver output



Output connector: 10214-52A2PL manufactured by 3M (MDR connector receptacle)

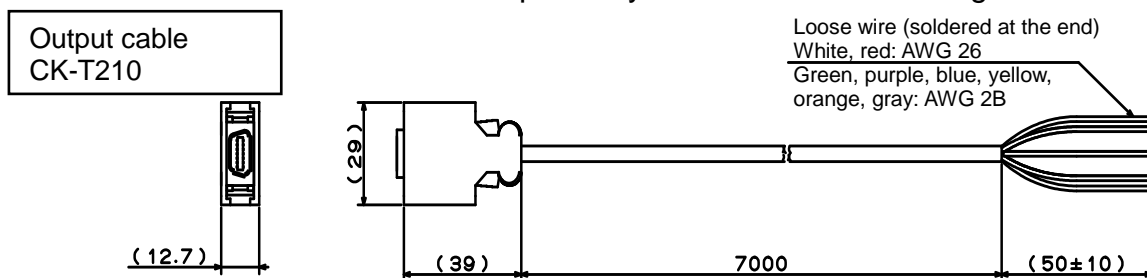


Output Connector	Signal	Output cable (CK-T210)	
		Wire color	Twisted pair
1	A	Blue	①
2	*A	Yellow	①
3	B	Orange	②
4	*B	Gray	②
5	N.C.		
6	N.C		
7	Unconnectable		
8	N.C		
9	N.C		
10	N.C		
11	0V	Green	③
12	0V	White	④
13	+5V	Red	④
14	+5V	Purple	③

Specification

Item	Specification
Resolution	0.5 μ m
Min. phase difference	200ns
Output	A/B phase (EIA-422 compliant)
Supply voltage	DC5V \pm 5%
Current consumption	300mA
Max. response speed	1m/s
Operating temperature range	0~40°C
Storage temperature range	-10~50°C

* Be sure to connect two wires respectively for the +5 V and 0 V signals.

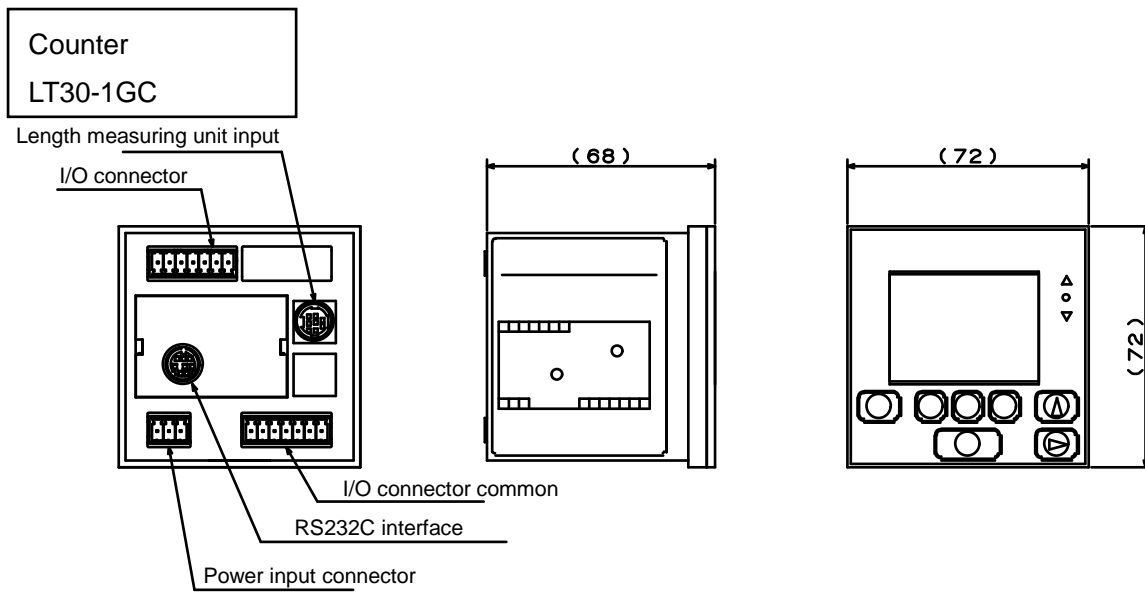


Input side connector : 3M MDR connector
Plug 10114-3000PE, Shell 10314-52F0-008

* The pulse counter and PLC are to be prepared by the customer.

* Select a pulse counter having specifications of 2 phases, x4 multiplication, and 500 kHz or higher.

3-2 Line driver output –counter specifications



For details, refer to the instruction manual of Magnecale counter LT20A-101C.
<http://www.magnescale.com/>

* The RS-232C cable and PLC are to be prepared by the customer.

4. Use

This product supplies pneumatic pressure to the unit to move the jaws in the open or close direction for gripping the conveyed workpiece and transfers the conveyed workpiece up to any location. After transfer, the jaws are moved in the close or open direction for removing the conveyed workpiece.

NOTICE

- This product is not oil- and water-resistant.(Equivalent to IP40)
- Do not use this product in the following environments.
 - Where cutting fluid splashes directly (The scale may be damaged.)
Especially when the cutting fluid includes abrasives (The scale may be damaged soon.)
 - Where substances such as organic solvent, chemical agent, acid, alkali, and kerosene are included in the atmosphere
 - Where water splashes directly (The scale may be damaged soon or cause a short.)

NOTICE

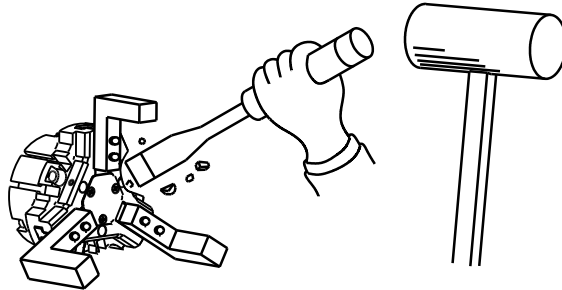
- The output cable coming out from the gripper body is not a robot cable.
- · Fix the output cable coming out from the gripper body so that the minimum bend radius becomes 50 mm or more, and route the cable to avoid repeated bending as far as possible when using the product.
When fixing the cable using cable ties, be careful not to tie the cable at a point where a load is applied to the cable and also not to fix the cable too tightly.
- The cable with interpolator is the robot cable.
- In a case where the cables can move, fix and route the cables other than the cable with interpolator so that only that cable is movable when using the product.

NOTICE

- For stable measurement, provide a flow control valve on the pneumatic circuit and adjust the jaw opening/closing speed by reducing the flow rate.
- If no flow control valve is used, the jaw opening/closing speed may increase, causing a display error.
- If the display error alarm occurs, reduce the speed using the flow control valve.

! DANGER

- Do not modify the gripper. Using the modified product could cause unexpected accidents. Kitagawa shall not be held liable for human accidents, death, damage, or loss that occurred due to the modification.



- If using the gripper as a workpiece fixture when the workpiece is drilled, deburred, welded, or modified additionally, confirm the specifications. If the gripper is used out of the specifications, not only the gripper is damaged but also the fixed workpiece may fly out.

! WARNING

- Wear appropriate clothing suitable for the work and wear gloves, safety glasses, safety shoes, and helmet.
 - Wearing inappropriate clothing causes the clothing to be stuck, resulting in danger.
 - Appropriate clothing will be preventive measures to prevent hazards due to the carelessness or unexpected accidents during work.

NOTICE

- Do not use the product in the environment of corrosive chemicals, corrosive gas, dust, and vibration, avoiding high temperature or direct sunlight.
- * When storing the product, apply antirust treatment and then store it in a place free from water leakage, dew condensation, or freeze.

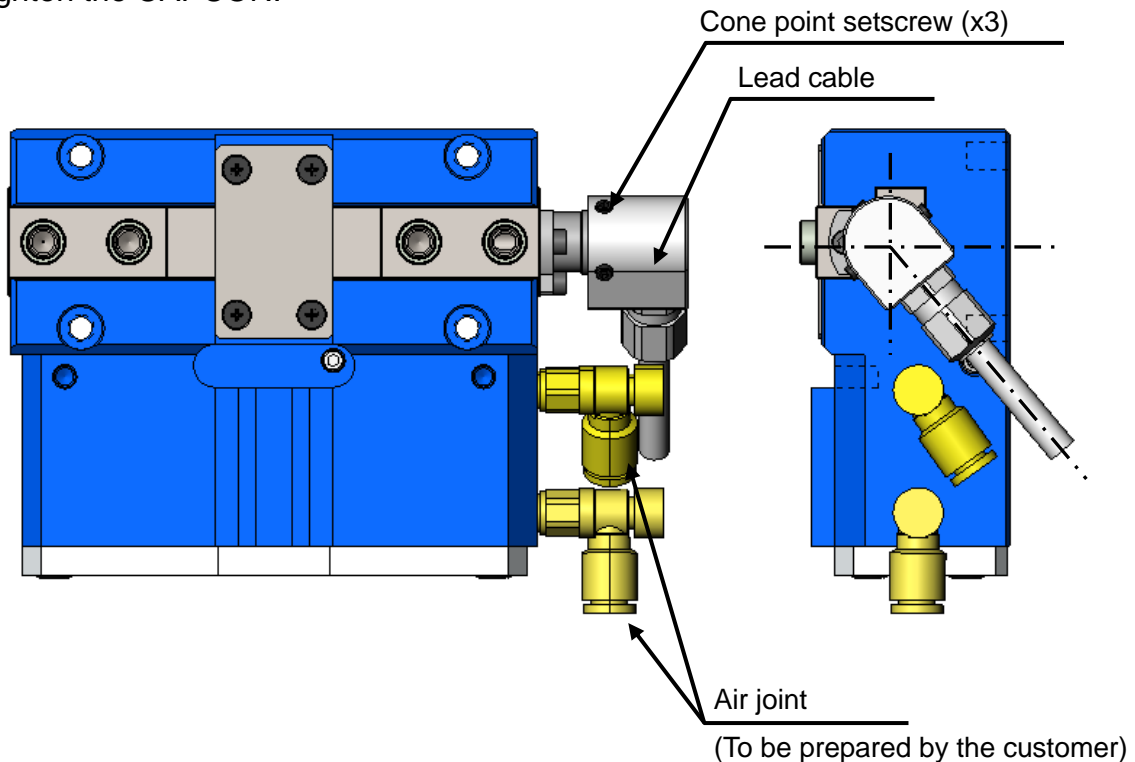
5. Handling of Lead Cable

5-1. Lead Cable Pull-out Direction

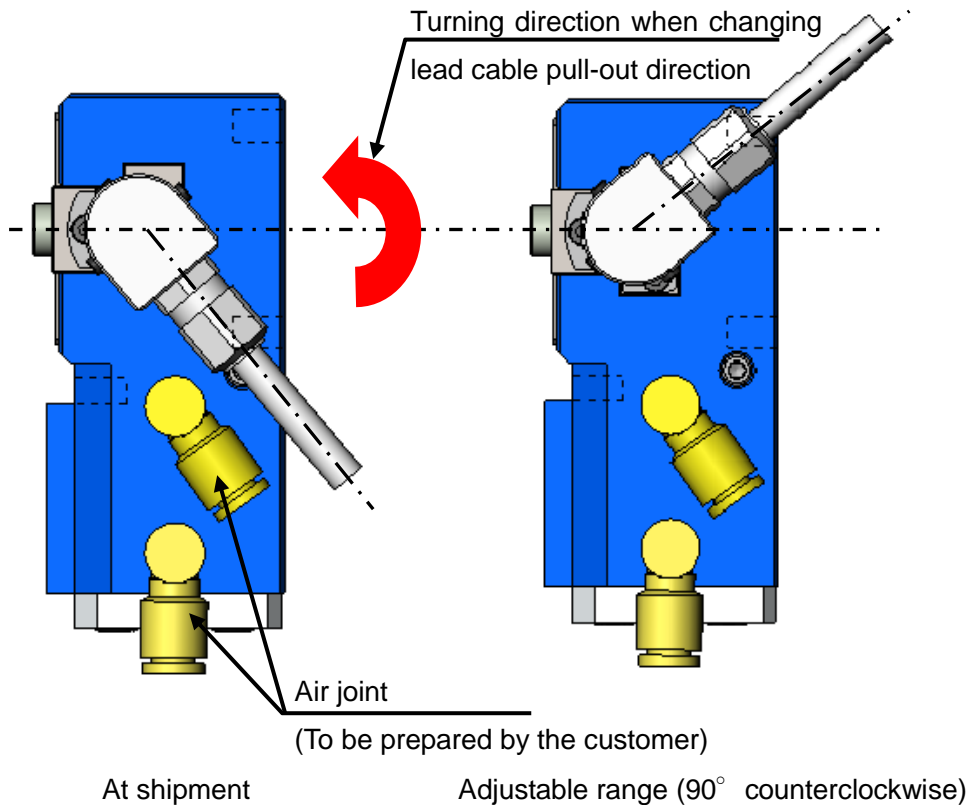
At shipment of the product, the lead cable is horizontally pulled out and fixed obliquely downward toward the bottom of the gripper body so that it does not interfere with the joints that will be attached to the air supply ports.

The pull-out direction of the lead cable can be set to accommodate a suitable position. To change the direction, follow the procedure described below.

- ① Loosen the CAPCON (cable gland). (Otherwise, the cable may be pulled and broken.)
- ② Loosen the three cone point setscrews.
- ③ Turn the connector. (Up to 90° in the counterclockwise direction from the position fixed at shipment)
- ④ After determining the lead cable pull-out direction, tighten the three cone point setscrews.
- ⑤ Tighten the CAPCON.



Lead cable pull-out direction at product shipment



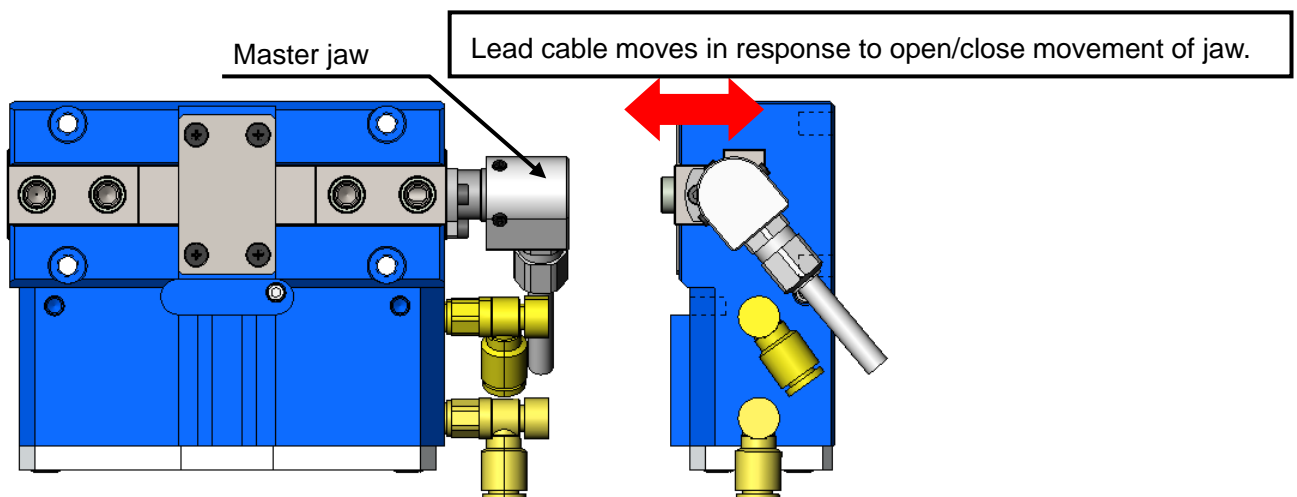
5-2. Fixing of Lead Cable

The lead cable coming out from the gripper body is not a robot cable.

Bending, twisting, or pulling the lead cable repeatedly may break the cable, resulting in failure. To prevent such a problem, fix the lead cable with no load applied to it using the connector at the end of the lead cable at the start of use.

Note that the lead cable moves according to the opening/closing movement of the gripper jaw. Therefore, when fixing the lead cable, make allowance for the movement of the cable.

In the case where the cable with interpolator connects to the lead cable using a robot cable it must be movable because of the system configuration, thus the lead cable should be fixed so that the cable with interpolator can be moved.



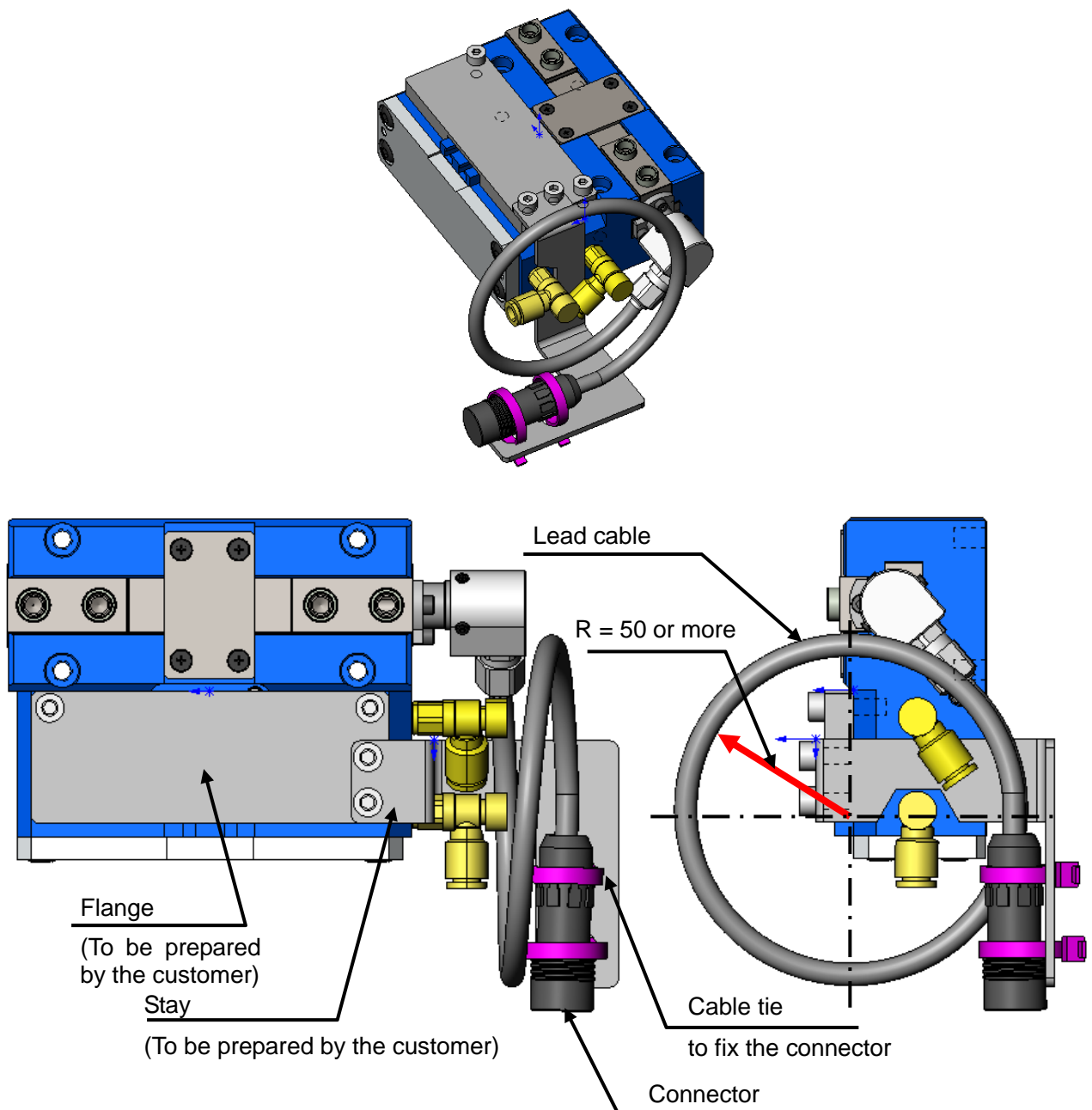
Precautions

- When using the product, prevent the lead cable coming out from the gripper body from being repeatedly bent, twisted, or pulled as far as possible.
- Fix the lead cable coming out from the gripper body so that it is routed with the minimum bend radius of 50 mm or more. When fixing the cable using cable ties, be careful not to tie the cable at a point where a load is applied to the cable.
(Will cause cable to break if bent repeatedly)

When fixing the lead cable, fix it in accordance with the desired conditions by referring to the examples shown below.

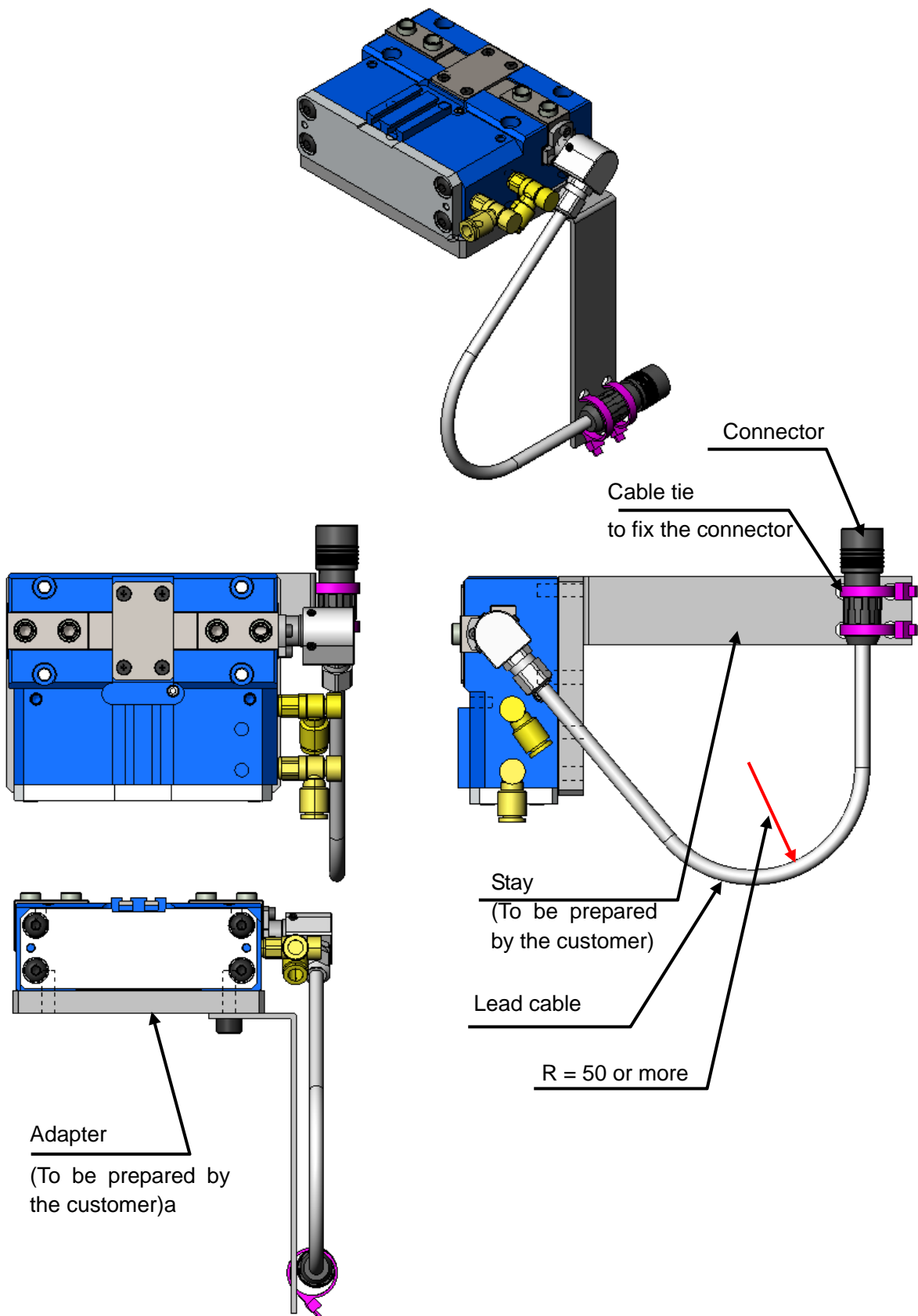
[Example 1]

Attaching a stay to the gripper flange (prepared by the customer) to loop the lead cable with the minimum bend radius, and fixing the connector using cable ties.



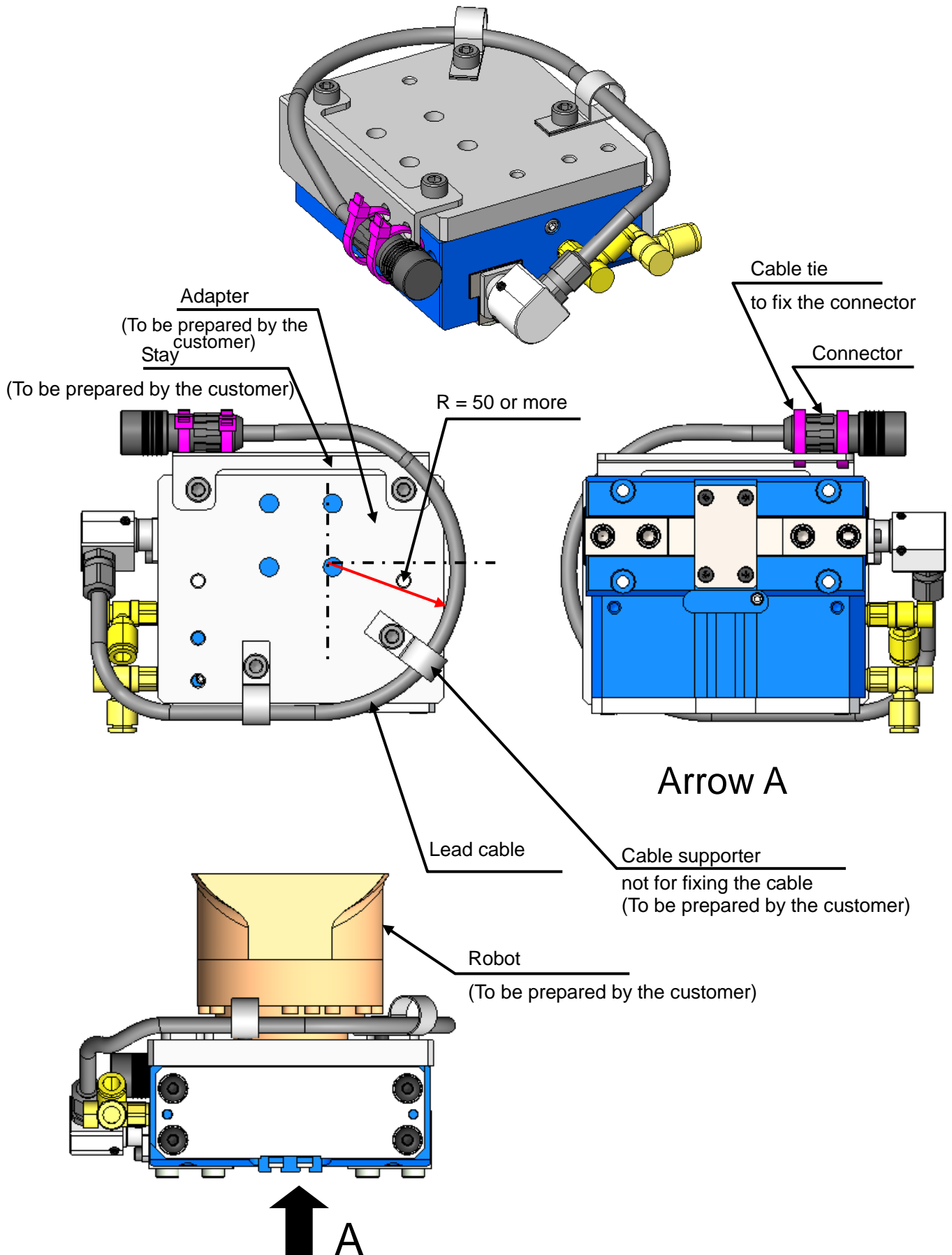
[Example 2]

Attaching a stay to the fixing adapter of the gripper body (prepared by the customer) and fixing the connector of the lead cable to the stay using cable ties



[Example 3]

Attaching a stay to the fixing adapter of the gripper body (prepared by the customer) and fixing the connector of the lead cable to the stay using cable ties



6. How to Use Length Measuring Function

Output: A/B phase incremental

When using the function, turn on the power and then perform presetting.

7. Precautions With Regard to Installation

Precautions

- Do not pass the lead cables and connection cables together with the power wire through the same duct.
- Be sure to install the product at least 0.5 m away from any high voltage source, large current source, and large power relay.
- Do not use the cable with interpolator, output cable, and counter in a place where chips, coolant, and machine oil will splash.(This product is not oil- and water-resistant.)

8. Troubleshooting

8-1. Problems and countermeasures

Check the following, and take corrective actions.

Symptom	Cause	Corrective actions
Gripper does not operate	Gripper internal part is broken.	Replace the gripper with a new one.
	Slideways get seized.	Disassemble, and correct the seized part with an oilstone, or replace the gripper with a new one.
	The piston does not operate.	Check that the air pressure is within the operating pressure range.
		Check for air leakage. Check the piping and solenoid valve, and if normal, disassemble and clean the cylinder.
	The switch is faulty or installed incorrectly.	Check that the switch can detect normally.
Lack of master jaw stroke	Much dust exists in master jaws.	Disassemble the gripper, clean it, replace the seals, and apply grease.
Low gripping force	Low air pressure	Check that the air pressure is within the operating pressure range.
	Air leaks from the seal.	Disassemble the gripper, clean it, replace the seals, and apply grease.
	Master jaw movements are not smooth.	Remove the cover and supply grease, and open and close the master jaws several times without gripping any conveyed workpiece. Disassemble the gripper, clean it, and apply grease.

WARNING

- If the gripper failed due to a seizure or damage, disassemble the gripper following the disassembly procedure. If the gripper is in the state that you cannot disassemble, do not disassemble it forcibly but please contact us or our agents.
- Stop using the gripper immediately if the situations are not improved though corrective actions given in above table were taken. Continuous use of faulty product or part could cause serious human accidents due to flying gripper or conveyed workpiece.
- The gripper must be repaired only by skilled persons who have received the training course. Repair by unskilled persons or persons other than us or our agents could cause serious human accidents.

8-2. Contact address in case of trouble

Please get in touch with our sales agent from which you purchased the gripper or our office when the gripper troubled.

9. Others

9-1. Standards and directives to which the gripper conforms

This product conforms to the following standards and directives:

- Machinery Directive:2006/42/EC Annex I
- EN ISO 12100:2010
- FCC Part 15 Subpart B Class A Digital Device
- ICES-003 Class A Digital Device
- EN61000-6-4
- EN61000-6-2

9-2. Disposal of gripper

Dispose of this unit in accordance with the laws and regulations of your country.

INSTRUCTION MANUAL MODEL NPGT

Thin 2-jaw Parallel Gripper



DANGER

- This Instruction Manual has been prepared for intended use for production engineers and maintenance persons who operate this product. When the beginners use this product, be sure to receive the guidance from skilled persons, sales agents, or us in advance.
- Before installing, using, or maintaining this product, read carefully the safety precautions given in this manual so as to understand them completely. If you do not heed given instructions or safety precautions, serious human accidents, death, or physical damage may occur.
- Store this manual with care in the specified place at hand, and reread it as necessary for correct use of the product.
- Please contact the sales agent if you have any uncertainty or doubt about this manual.

Preface

This manual provides detailed information on the thin 2-jaw parallel gripper (model NPGT) so that you can understand its performance and functions and use it safely and correctly. Before using this gripper, read this manual carefully to understand how to use the gripper correctly. Always follow the instructions and warnings given in **“Important Safety Precautions”** and **“Precautions for Use”**. Failure to follow these precautions could result in serious human accidents.

Terms and Symbols Used for Safety Messages

In this manual, handling precautions that are considered especially important are classified and displayed as shown below according to the degree of risk (seriousness of harm) that could result. Please completely understand the meaning of these terms and follow the instructions for safe operation.

Safety Alert Symbol

This triangle is a safety alert symbol used to alert you to potential safety hazards. To avoid death or injuries that could occur, follow the safety messages given with this safety alert symbol.



Failure to follow the safety precautions below will result in death or serious injuries.



Failure to follow the safety precautions below could result in death or serious injuries.



Failure to follow the safety precautions below may result in minor or moderate injuries.



Indicates instructions which, if you do not heed given instructions, could result in damage to the product or shortened service life, or damage to peripheral equipment.

Disclaimer and How to Use Instruction Manual

This product is suitable for gripping a conveyed workpiece by being installed on the robot or loader. The product is equipped with the jaws to grip the conveyed workpiece and they are operated by air pressure. For any other applications, please contact us.

Kitagawa Corporation shall not be held liable for human accidents, death, damage, or loss that occurred due to a failure to follow the safety precautions given in this manual.

This manual does not predict all potential hazards in operation, inspection, and maintenance under all environmental conditions. There will be an infinite number of matters that cannot or must not be done, and it is impossible for the manual to cover all of them.

Therefore, the matters, unless otherwise mentioned clearly as “can be done” or “may be done” in this manual, should be considered as “cannot be done” or “must not be done”.

Please contact us or our agents if you have an uncertainty about safety when you try to perform operation, inspection, or maintenance not mentioned in this manual.

Warranty and Disclaimer

The product is warranted for one year after the date of delivery.

All parts used shall be those delivered by Kitagawa Corporation. Kitagawa Corporation shall not be held liable for human accidents, death, damage, or loss that occurred due to the use of parts which are not genuine parts manufactured by Kitagawa. Also, the use of parts other than Kitagawa’s genuine parts will void the warranty.

Contents

1. Structural Drawing and Parts List	4
1-1. Model indication	
1-2. Structural drawing	
1-3. Seal list	
1-4. Parts list	
2. Important Safety Precautions	10
3. Specifications	14
3-1. Specification table	
3-2. Gripping force	
4. Use	17
5. Design of Jaws	18
5-1. Designing jaws to be installed on the gripper	
6. Installation	19
6-1. Installing the gripper	
6-2. Installing the jaws	
6-3. Connecting the air piping	
6-4. Installing the switches	
7. Maintenance and Checking	27
7-1. Periodic checking	
7-2. Maintenance interval	
7-3. Grease	
7-4. Air circuit maintenance	
7-5. Disassembly and assembly procedure	
8. Troubleshooting	30
8-1. Problems and countermeasures	
8-2. Contact address in case of trouble	
9. Others	31
9-1. Standards and directives to which the gripper conforms	
9-2. Disposal of gripper	

1. Structural Drawing and Parts List

1-1. Model indication

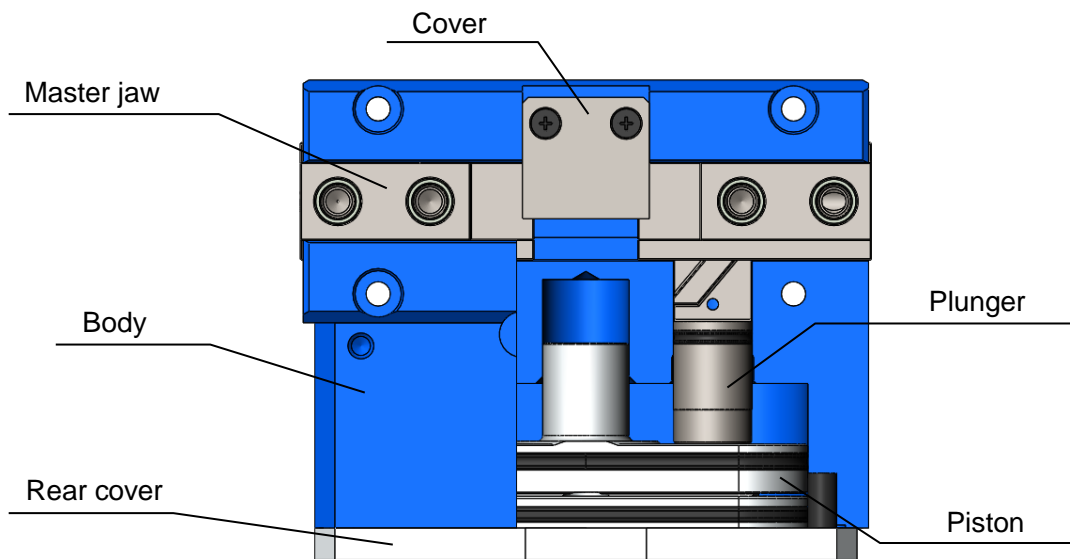
The model indication is as follows:

NPGT 08 S

Series		Size			Length measuring sensor	
NPGT	NBR seal	08	10	12	Nil	Not equipped
		16			S	Equipped

* For the gripper equipped with the length measuring sensor, see also the separately provided instruction manual for it.

1-2. Structural drawing

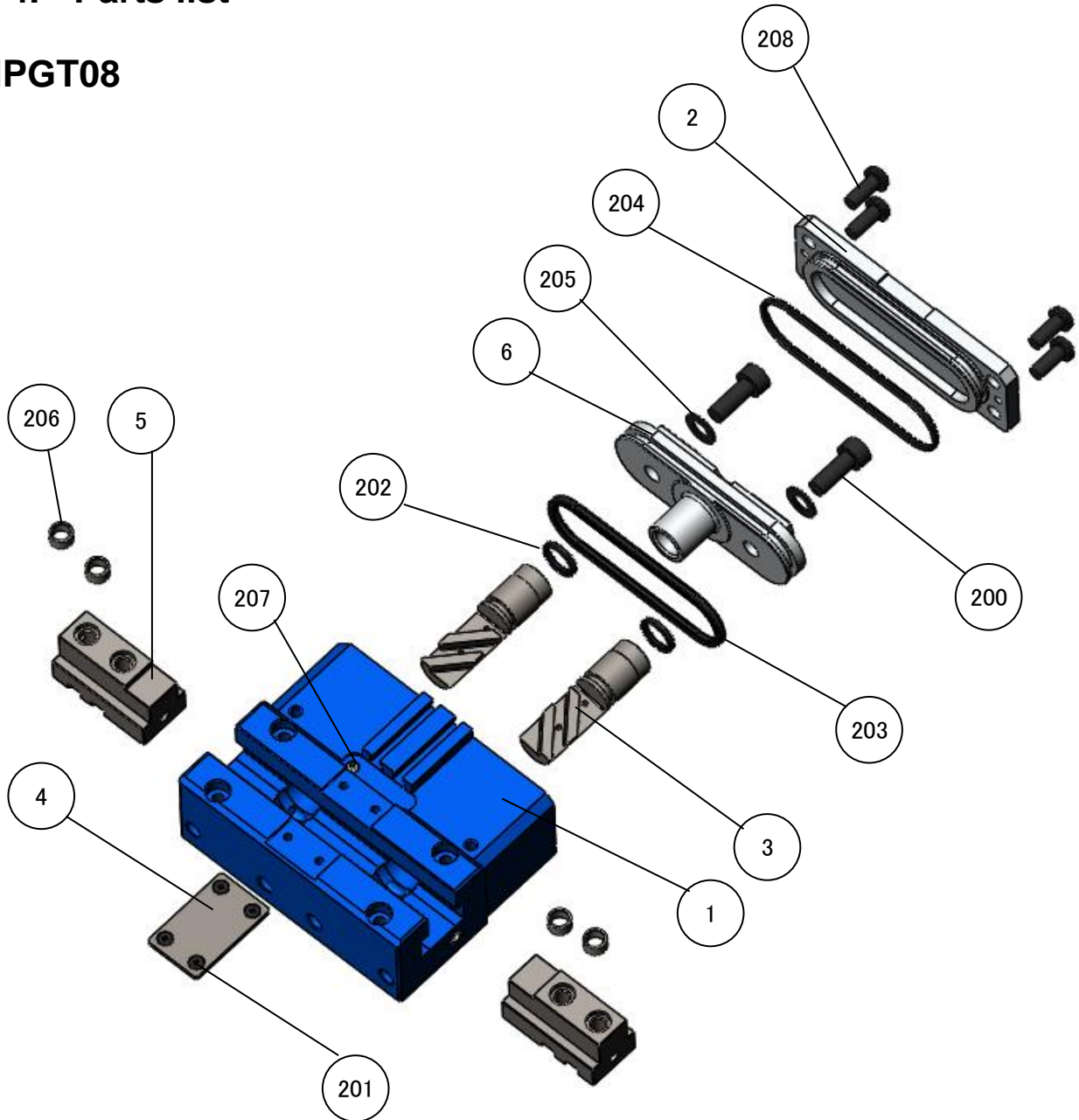


1-3. Seal list

Model	No.					
	202	203	204	205	209	205
NPGT08	X-ring X013	X-ring X136	O-ring S55	Seal washer 6S1	-	
NPGT10	X-ring X014	X-ring X146	O-ring S71	Seal washer 6S1	O-ring S11.2	
NPGT12	X-ring X018	X-ring X153	O-ring S95	Seal washer 10S1	O-ring S12.5	Seal washer 5S1
NPGT16	X-ring X023	X-ring X157	O-ring G115	Seal washer 10S1	O-ring S18	Seal washer 5S1

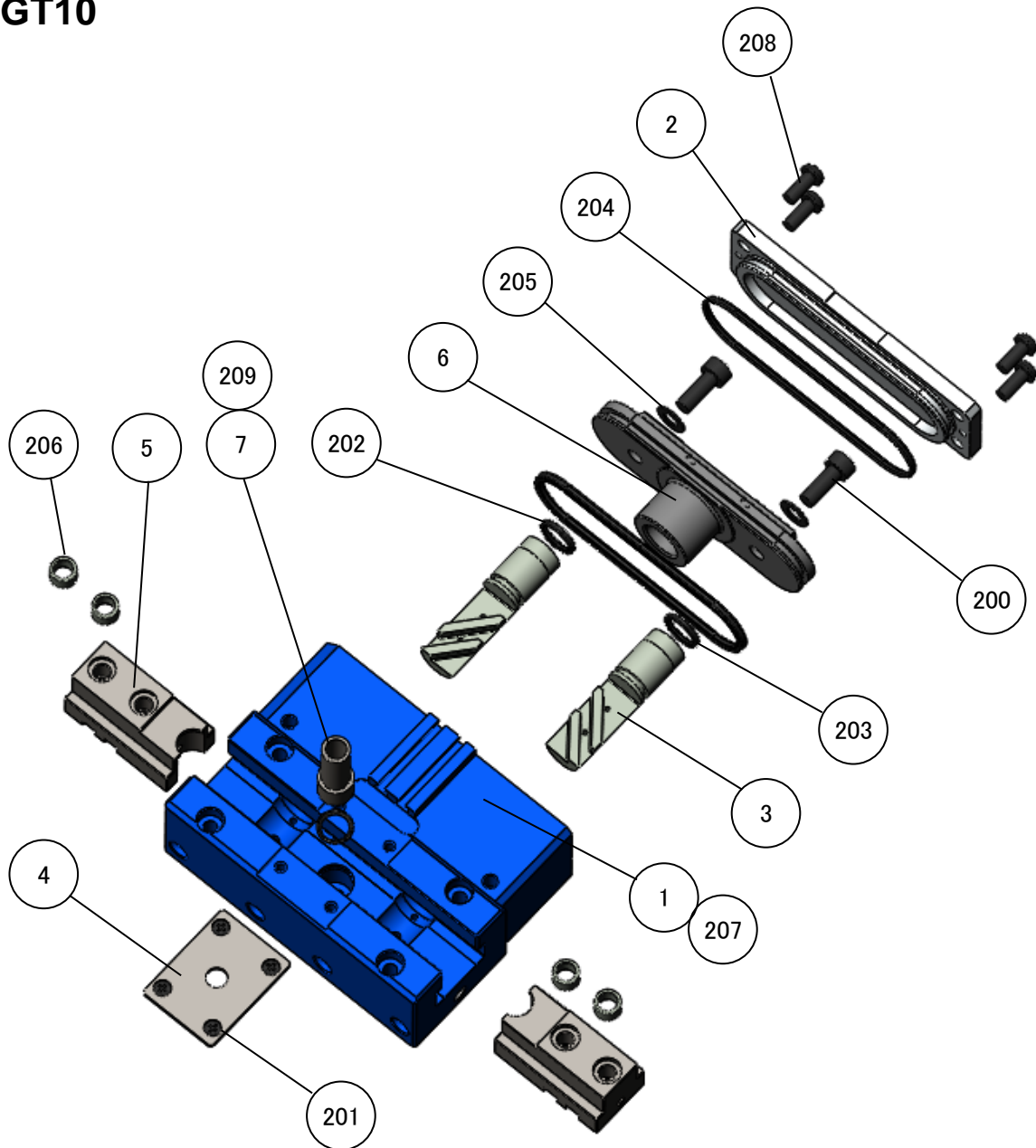
1-4. Parts list

NPGT08



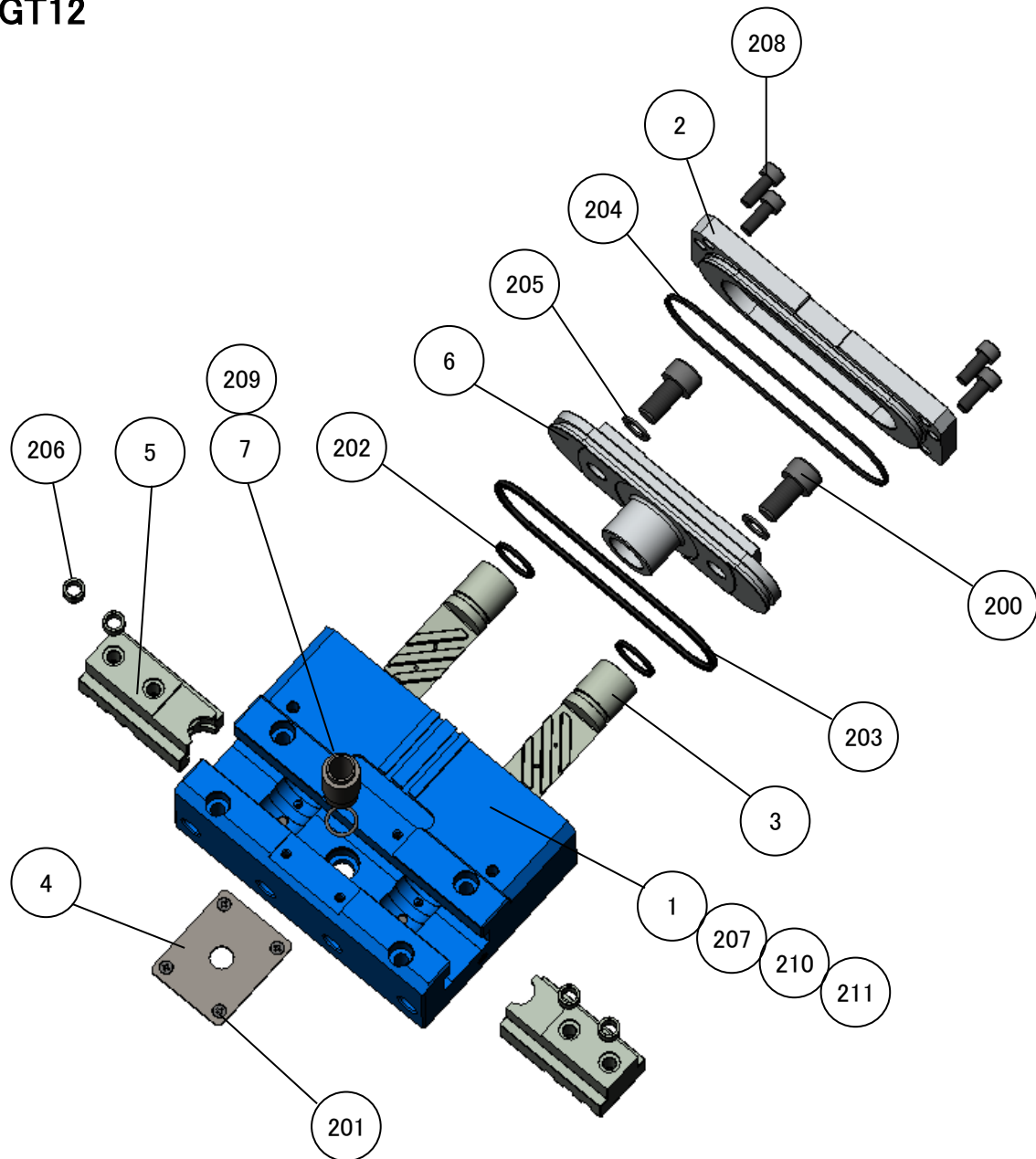
No.	Parts name	Quantity	No.	Parts name	Quantity
1	Body	1	200	Plunger fixing bolt	2
2	Rear cover	1	201	Cover fixing bolt	4
3	Plunger L (R)	1 (1)	202	Shaft packing	2
4	Cover	1	203	Piston packing	1
5	Master jaw L (R)	1 (1)	204	O-ring	1
6	Piston	1	205	Seal washer	2
			206	Positioning bushing	4
			207	Setscrew	8
			208	Rear cover fixing bolt	4

NPGT10



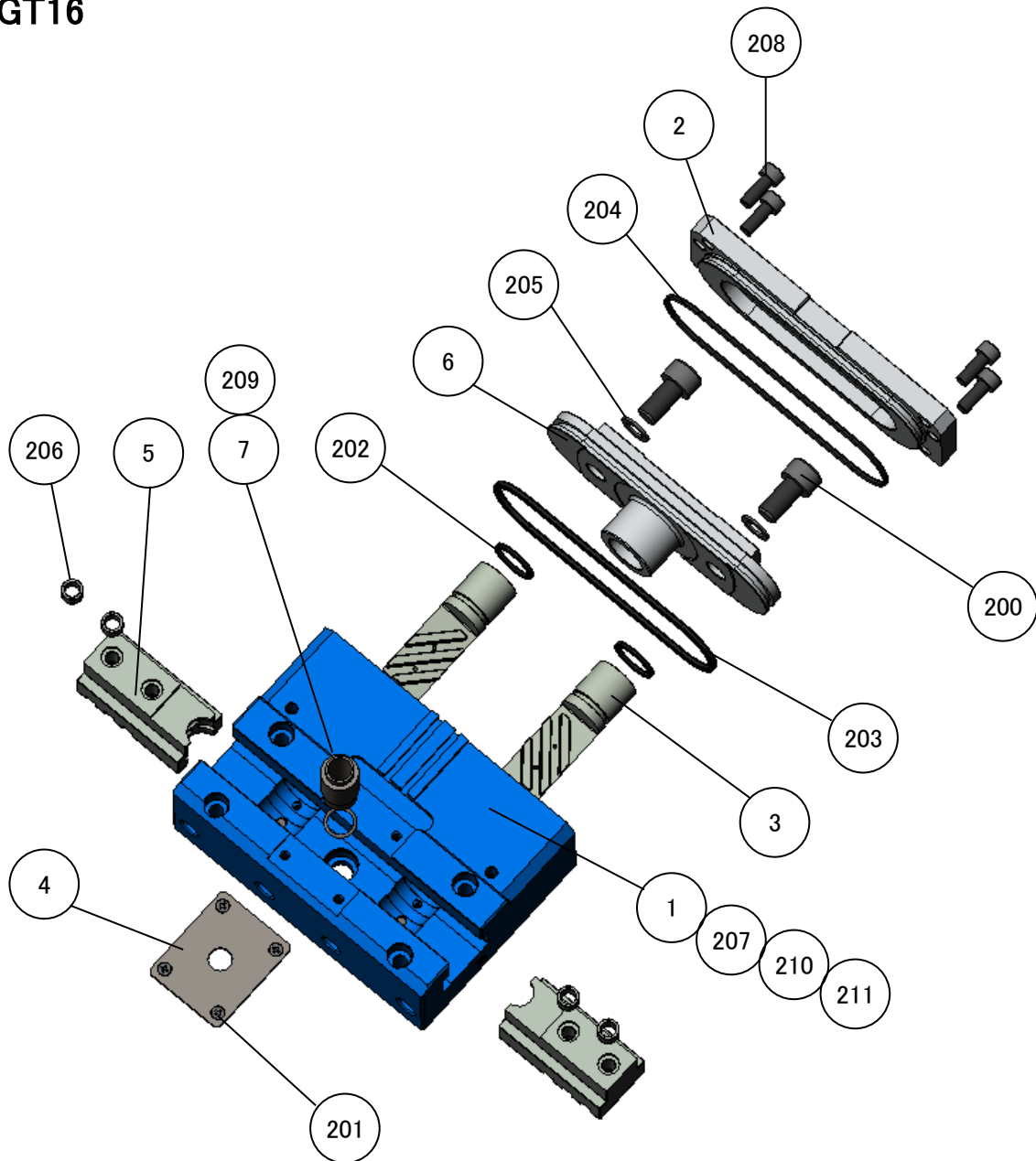
No.	Parts name	Quantity	No.	Parts name	Quantity
1	Body	1	200	Plunger fixing bolt	2
2	Rear cover	1	201	Cover fixing bolt	4
3	Plunger L (R)	1 (1)	202	Shaft packing	2
4	Cover	1	203	Piston packing	1
5	Master jaw L (R)	1 (1)	204	O-ring	1
6	Piston	1	205	Seal washer	2
7	Pipe	1	206	Positioning bushing	4
			207	Setscrew	8
			208	Rear cover fixing bolt	4
			209	O-ring	1

NPGT12



No.	部品名称	個数	No.	部品名称	個数
1	Body	1	202	Shaft packing	2
2	Rear cover	1	203	Piston packing	1
3	Plunger L (R)	1(1)	204	O-ring	1
4	Cover	1	205	Seal washer 10S1	2
5	Master jaw L (R)	1(1)	206	Positioning bushing	4
6	Piston	1	207	Setscrew	5
7	Pipe	1	208	Rear cover fixing bolt	4
			209	O-ring	1
200	Plunger fixing bolt	2	210	Hexagon socket button head screw	2
201	Cover fixing bolt	4	211	Seal washer 5S1	2

NPGT16



No.	部品名称	個数	No.	部品名称	個数
1	ボデー	1	202	シャフトパッキン	2
2	リアカバー	1	203	ピストンパッキン	1
3	プランジャ L(R)	1(1)	204	Oリング	1
4	カバー	1	205	シールワッシャ 10S1	2
5	マスタジョー L(R)	1(1)	206	位置決めブッシュ	4
6	ピストン	1	207	止めねじ	5
7	パイプ	1	208	リアカバー固定ボルト	4
			209	Oリング	1
200	プランジャ固定ボルト	2	210	六角穴付ボタンボルト	2
201	カバー固定ボルト	4	211	シールワッシャ 5S1	2

2. Important Safety Precautions

Important safety precautions that particularly you should know or follow are summarized below. Please read them before starting to use the product.



DANGER

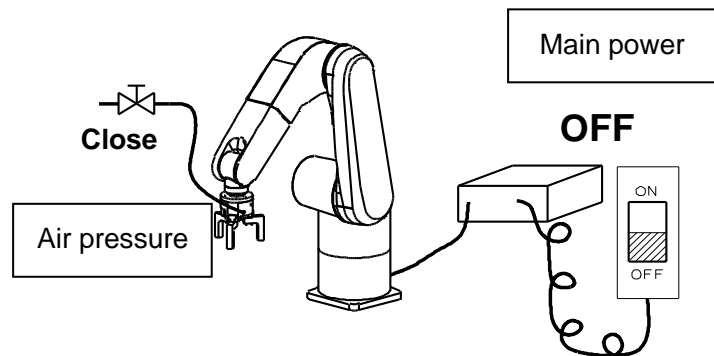
Failure to follow the safety precautions below will result in death or serious injuries.



Be sure to turn off the main power supply when installing, checking, oiling, or replacing the gripper.

Also, shut down the air pressure in the work area.

- During work, the robot or gripper could move abruptly and collide with your body.
- After shutting down the air pressure, release the air pressure remaining inside the gripper.



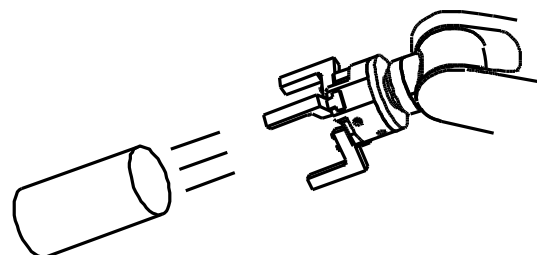
When installing, checking, oiling, or replacing the gripper, post a sign or notice, or provide a fence, and so on to notify people around the machine that work is in progress.

- Notify people around the machine that work is in progress and take measures to keep people other than the operator out of the work area.
Machine motion not predicted by a third party could cause serious danger.



Take safety measures so that the operator is not injured even if the conveyed workpiece flies out due to the reduced air pressure.

- Observe the legal safety standards defined by each country, such as installation of safeguards or fall prevention covers.





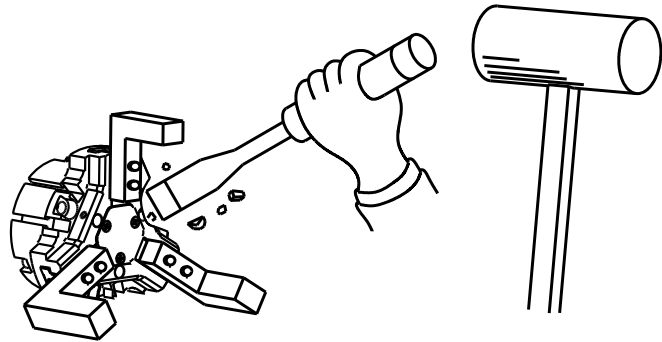
DANGER

Failure to follow the safety precautions below will result in death or serious injuries.



Do not modify the gripper.

- Not only the gripper is damaged but also the gripper and fixed workpiece may fly out.



If using the gripper as a workpiece fixture when the workpiece is drilled, deburred, welded, or modified additionally, confirm the specifications.

- If the gripper is used out of the specifications, not only the gripper is damaged but also the fixed workpiece may fly out.



Be sure to tighten the bolts with the specified torque.

- Lack of bolt quantity or tightening torque, or excessive torque could damage the bolt, causing the gripper or conveyed workpiece to fly out.
- When tightening the bolts, fix the gripper so that it will not rotate. Failure to do so may result in injury by slipping your hands when tightening the bolts.

Other than plunger fixing bolt	Plunger fixing bolt
--------------------------------	---------------------

Bolt size	Tightening torque		Bolt size	Tightening torque	
M3	1.2	N·m	M5	6.8	N·m
M4	2.7	N·m	M6	12.7	N·m
M5	5.5	N·m	M8	33.3	N·m
M6	10.8	N·m	M10	72.6	N·m
M8	26.5	N·m			
M10	60	N·m			

Hexagon socket button head screw

Bolt size	Tightening torque	
M5	4.8	N·m



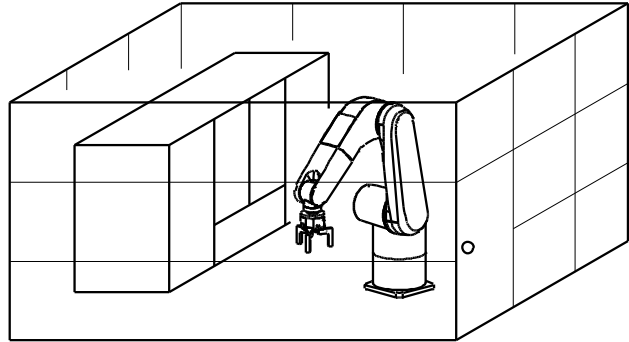
DANGER

Failure to follow the safety precautions below will result in death or serious injuries.



Use the gripper in accordance with the legal safety standards.

- Use the gripper in accordance with the legal safety standards defined by each country, such as installation of safeguards or safety covers.





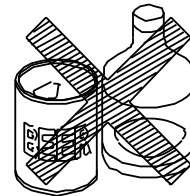
WARNING

Failure to follow the safety precautions below will result in death or serious injuries.



Do not operate the machine after drinking alcohol or taking medicine.

- Impaired judgment or operation mistake may cause serious hazards.



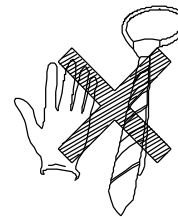
Alcohol

Medicine



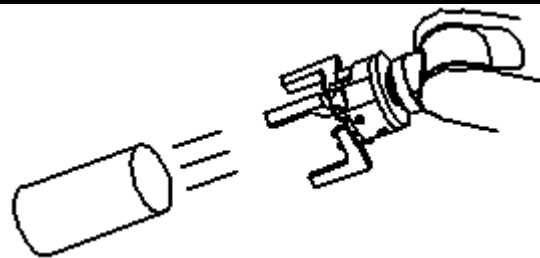
Do not wear clothing or accessories such as a necktie, necklace, etc. which are easy to be caught in.

- You may be caught in the gripper.



Use the gripper within the range of specification values.

- When selecting a gripper, select the model by referring to "Model selection" in page 14.
- Have the gripper grip the conveyed workpiece at the position of its center of gravity.
- If not, not only the gripper is damaged but also the conveyed workpiece may fly out.



3. Specifications

3-1. Specification table

(Standard gripping force)

Model	NPGT			
	08 (S)	10(S)	12(S)	16(S)
Fluid used	Air pressure			
Operating air pressure (MPa)	0.2~0.8			
Ambient temperature range (°C)	5~60			
Jaw stroke in diameter (mm)	16.6	20.8	26.4	32.6
Cylinder internal volume (reciprocation) (cm ³)	34	64	152	524
Repeatability (mm)	±0.008			
Body Mass (kg)	0.79	1.25	2.45	4.60
Ambient humidity range (%)	30~95			
Storage temperature range (°C)	-10~60			
Noise level (dB)	79			

*Noise level is measured at a distance of 1m from the gripper in front, rear, left, and right four positions of the gripper.

3-2. Gripping force

① Standard for selecting a model

Perform the following calculation and select the model that provides a gripping force exceeding the calculation result, though a gripping force varies depending on the shapes of jaws created by the customer and conveyed workpiece or the friction coefficient.

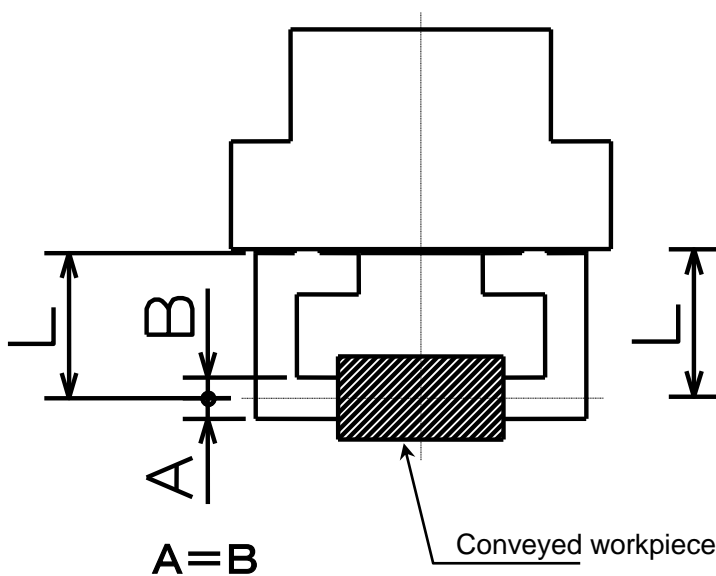
$$F = m(g+a) / \mu$$

(Example) When mass of conveyed workpiece
and robot acceleration = 10m/s²:
 $F = 8(9.8+10) / 0.1 = 1584$ (N)

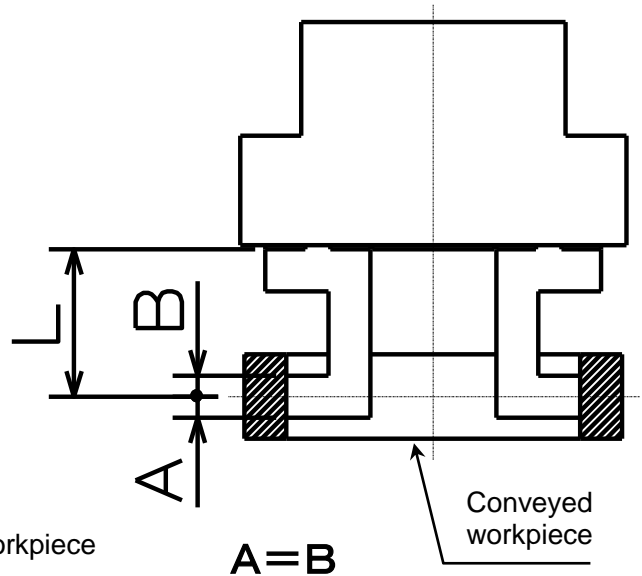
F = Gripping force (N)
m = Mass of conveyed workpiece (kg)
g = Gravitational acceleration (m/s²)
a = Acceleration of robot/loader (m/s²)
 μ = Friction coefficient of gripping part

② Gripping force

● External gripping



● Internal gripping



L: Distance up to a grip point(mm)

● Expression of gripping force

A gripping force F shown in graph is actually measured gripping force per jaw F1 x the number of jaws.

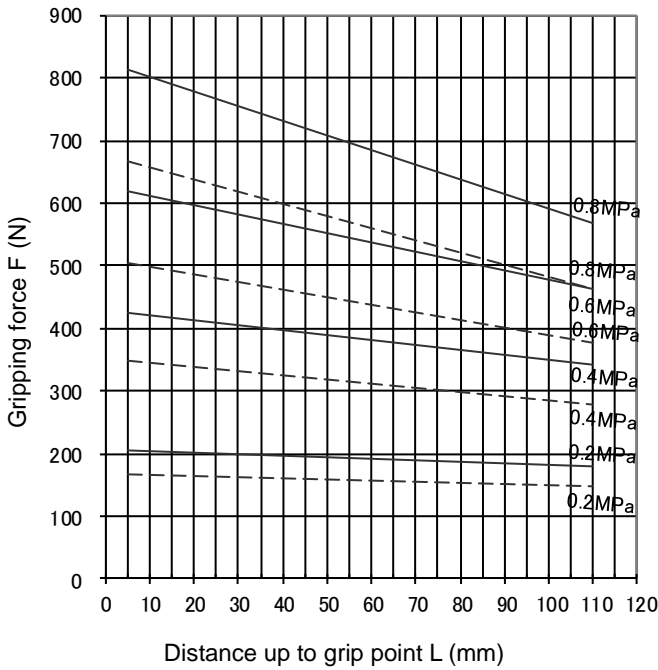
$$(F = F1 \times 2)$$



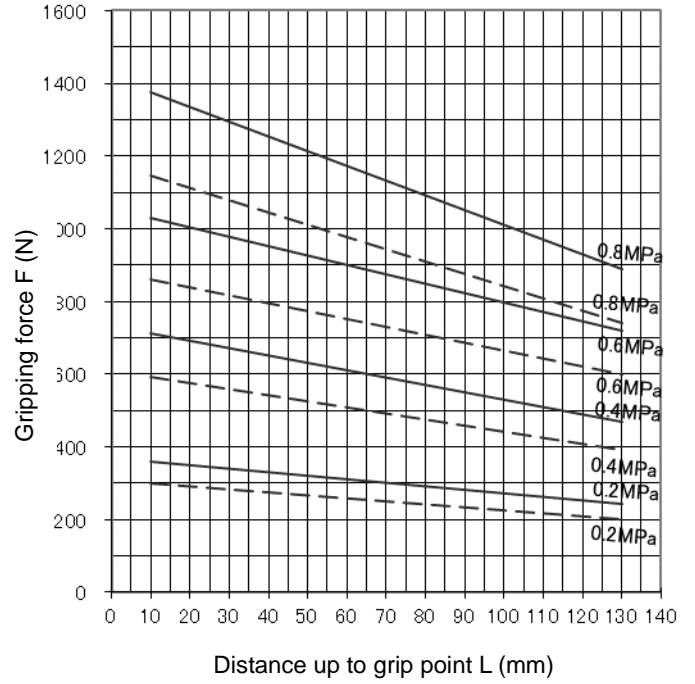
—— External gripping

----- Internal gripping

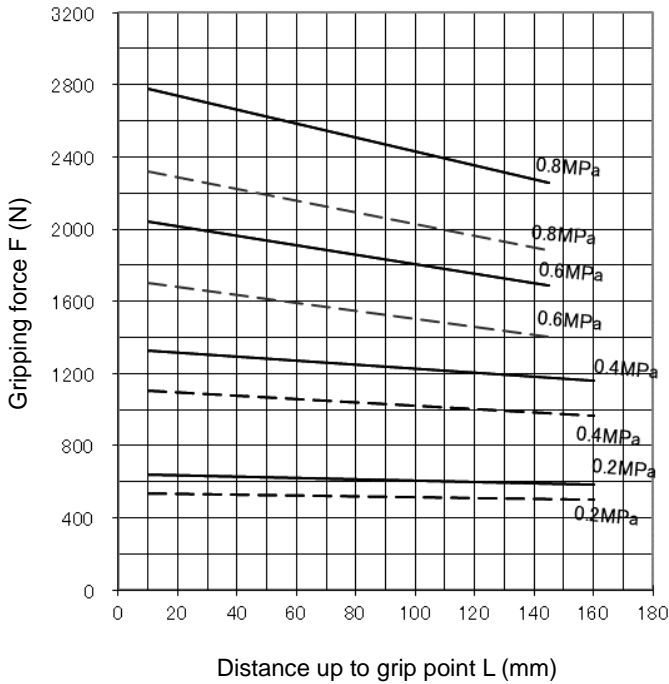
■ **NPGT08(S)**



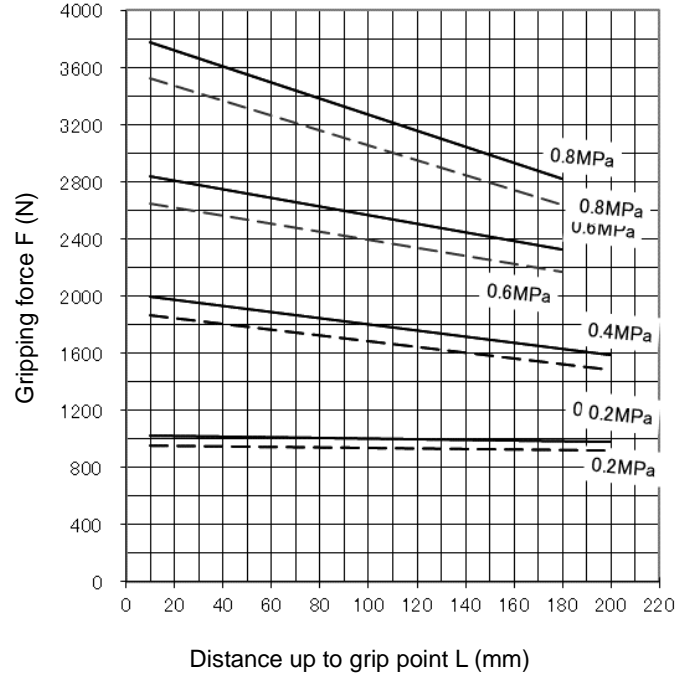
■ **NPGT10(S)**



■ **NPGT12(S)**



■ **NPGT16(S)**



NOTICE

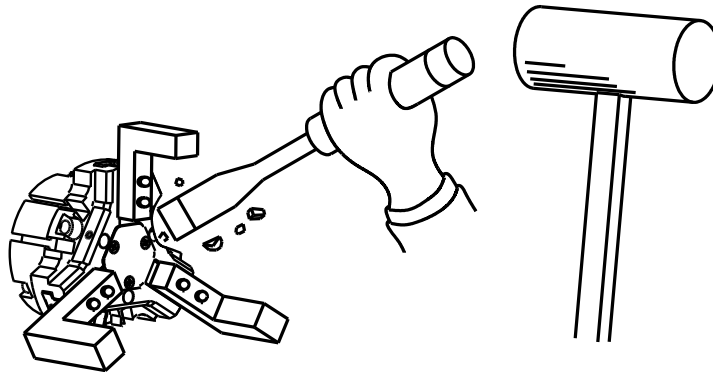
- Determine the distance up to a grip point L as short as possible when designing the jaws. Also, the distance up to a grip point L should be used within a range shown in graph. If it is used out of the range, not only the specified gripping force may not be obtained but also the wear of sliding parts may be increased.

4. Use

This product supplies pneumatic pressure to the unit to move the jaws in the open or close direction for gripping the conveyed workpiece and transfers the conveyed workpiece up to any location. After transfer, the jaws are moved in the close or open direction for removing the conveyed workpiece.

DANGER

- Do not modify the gripper. Using the modified product could cause unexpected accidents. Kitagawa shall not be held liable for human accidents, death, damage, or loss that occurred due to the modification.



- If using the gripper as a workpiece fixture when the workpiece is drilled, deburred, welded, or modified additionally, confirm the specifications. If the gripper is used out of the specifications, not only the gripper is damaged but also the fixed workpiece may fly out.

WARNING

- Wear appropriate clothing suitable for the work and wear gloves, safety glasses, safety shoes, and helmet.
 - Wearing inappropriate clothing causes the clothing to be stuck, resulting in danger.
 - Appropriate clothing will be preventive measures to prevent hazards due to the carelessness or unexpected accidents during work.

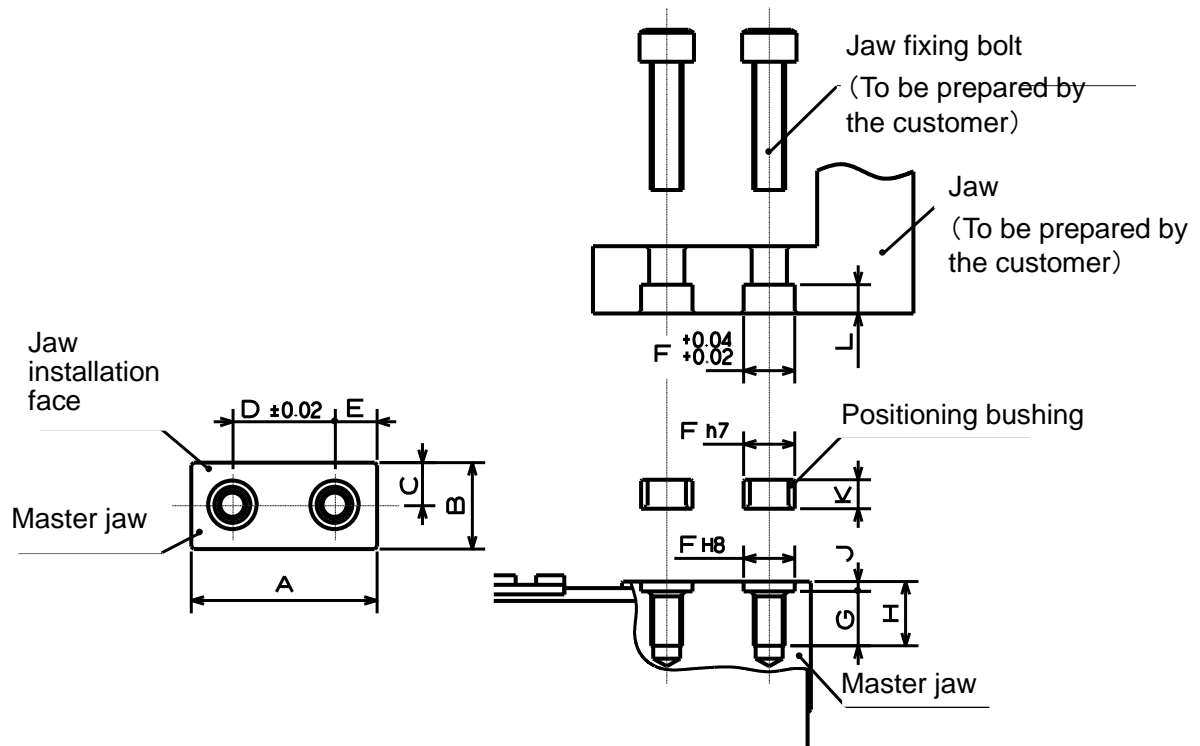
NOTICE

- Do not use the product in the environment of corrosive chemicals, corrosive gas, dust, and vibration, avoiding high temperature or direct sunlight.
- * When storing the product, apply antirust treatment and then store it in a place free from water leakage, dew condensation, or freeze.

5. Design of Jaws

5-1. Designing jaws to be installed on the gripper

When designing jaws to be installed on the gripper, form the installation face to the master jaw as shown below.



Model	A	B	C	D	E	F	G	H
NPGT 08	29.5	13.5	6.75	16	6.5	φ8	8.5	10
NPGT 10	32.5	18.5	9.25	20	6.5	φ10	10	12
NPGT 12	40	21	10.5	24	8	φ10	13	12
NPGT 16	53	28.5	14.25	32	9	φ14	16	19

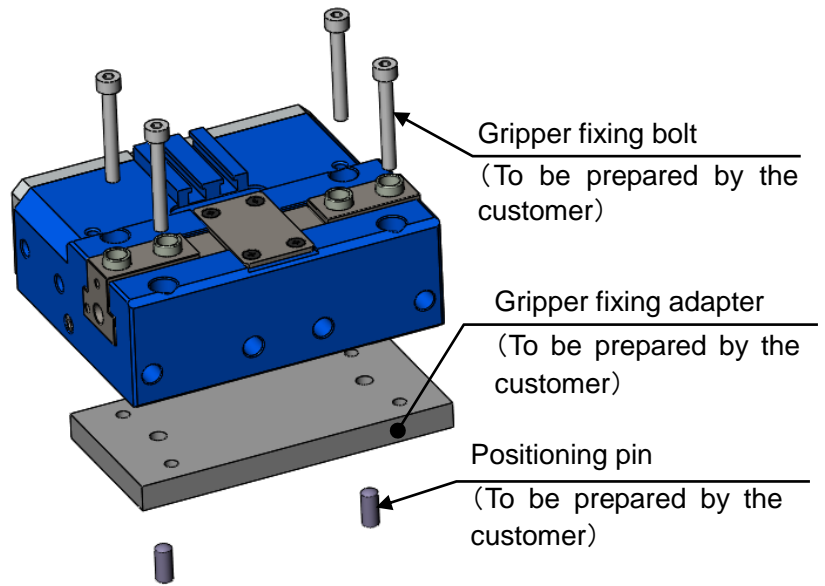
Model	J	K	L	Mounting bolt size
NPGT 08	1.5	4.5	3.5	M5
NPGT 10	2	6	4.5	M6
NPGT 12	2	6	4.5	M6
NPGT 16	3	7	4.5	M10

6. Installation

6-1. Installing the gripper

① Front face installation

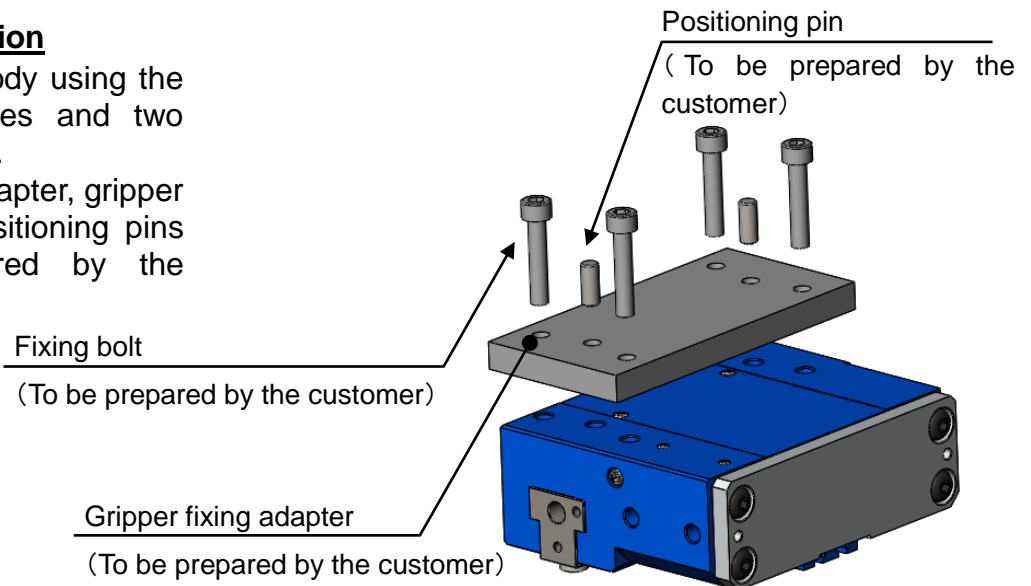
Install the gripper body using the four fixing bolt holes and two positioning pin holes. The gripper fixing adapter, gripper fixing bolts, and positioning pins are to be prepared by the customer.



Model		NPGT	08	10	12	16
Gripper fixing bolt size			M4	M5	M6	M8
Positioning pin hole	Diameter ($_{0}^{+0.025}$)	(mm)	$\phi 5$	$\phi 6$	$\phi 8$	$\phi 10$
	Depth	(mm)	8	10	11	12

② Rear face installation

Install the gripper body using the four fixing bolt holes and two positioning pin holes. The gripper fixing adapter, gripper fixing bolts, and positioning pins are to be prepared by the customer.

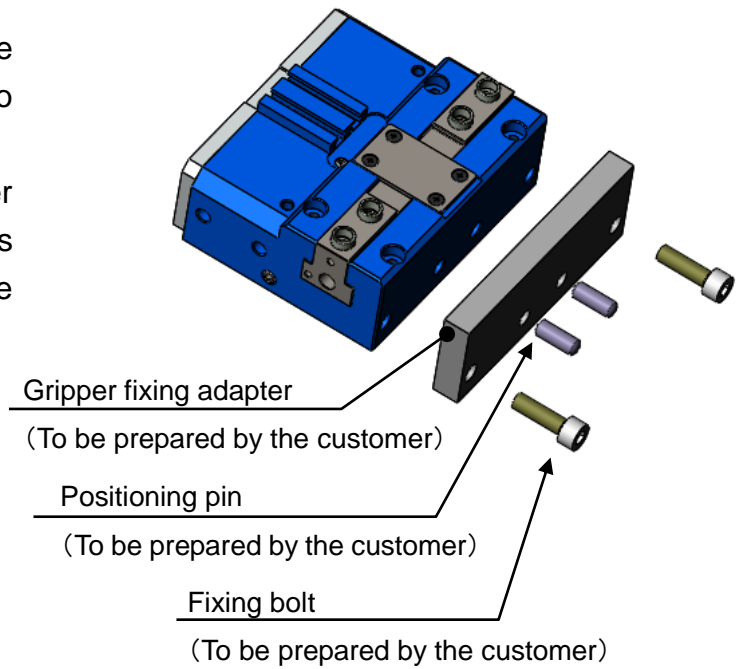


Model		NPGT	08	10	12	16
Gripper fixing bolt	Size		M5	M6	M8	M10
	Thread depth	(mm)	10	12	12	17
Positioning pin hole	Diameter ($_{0}^{+0.025}$)	(mm)	$\phi 5$	$\phi 6$	$\phi 8$	$\phi 10$
	Depth	(mm)	8	10	11	12

③ **Side face installation**

Install the gripper body using the two fixing bolt holes and two positioning pin holes.

The gripper fixing adapter, gripper fixing bolts, and positioning pins are to be prepared by the customer.

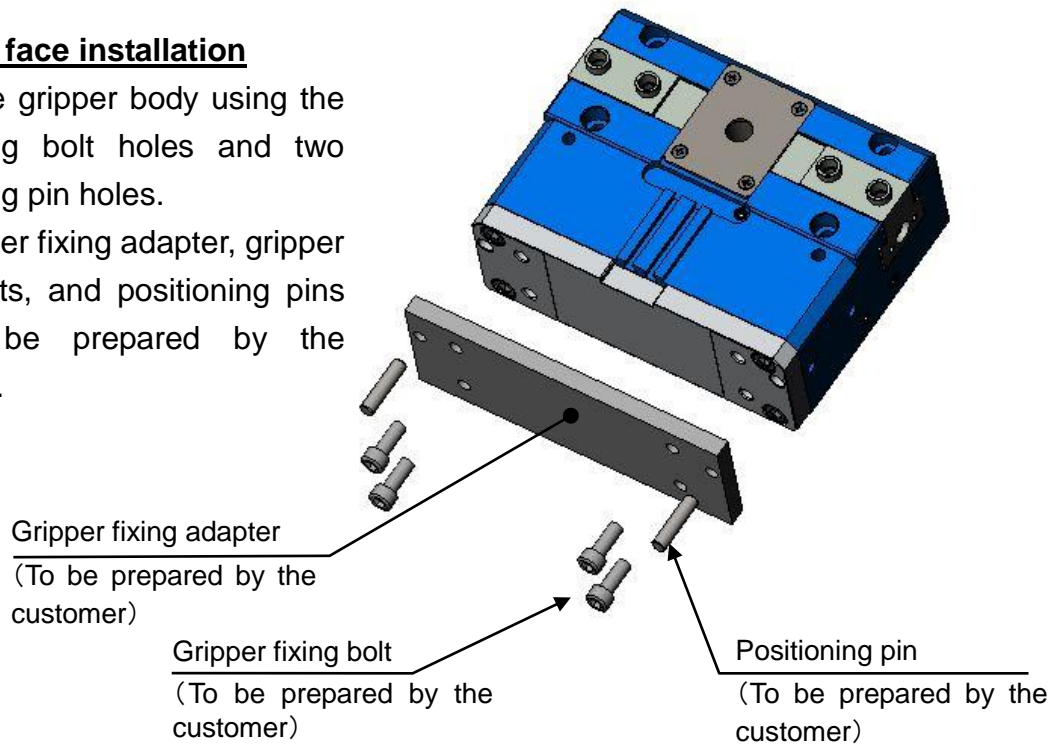


Model		NPGT	08	10	12	16
Gripper fixing bolt	Size		M6	M8	M10	M12
	Thread depth (mm)		10	12	15	20
Positioning pin hole	Diameter ($_{0}^{+0.025}$) (mm)		$\phi 6$	$\phi 8$	$\phi 10$	$\phi 12$
	Depth (mm)		8	10	12	14

④ **Bottom face installation**

Install the gripper body using the four fixing bolt holes and two positioning pin holes.

The gripper fixing adapter, gripper fixing bolts, and positioning pins are to be prepared by the customer.



Model		NPGT	12	16
Gripper fixing bolt	Size		M6	M8
	Thread depth (mm)		10.5	13
Positioning pin hole	Diameter ($_{0}^{+0.025}$) (mm)		$\phi 8$	$\phi 10$
	Depth (mm)		20.5	27

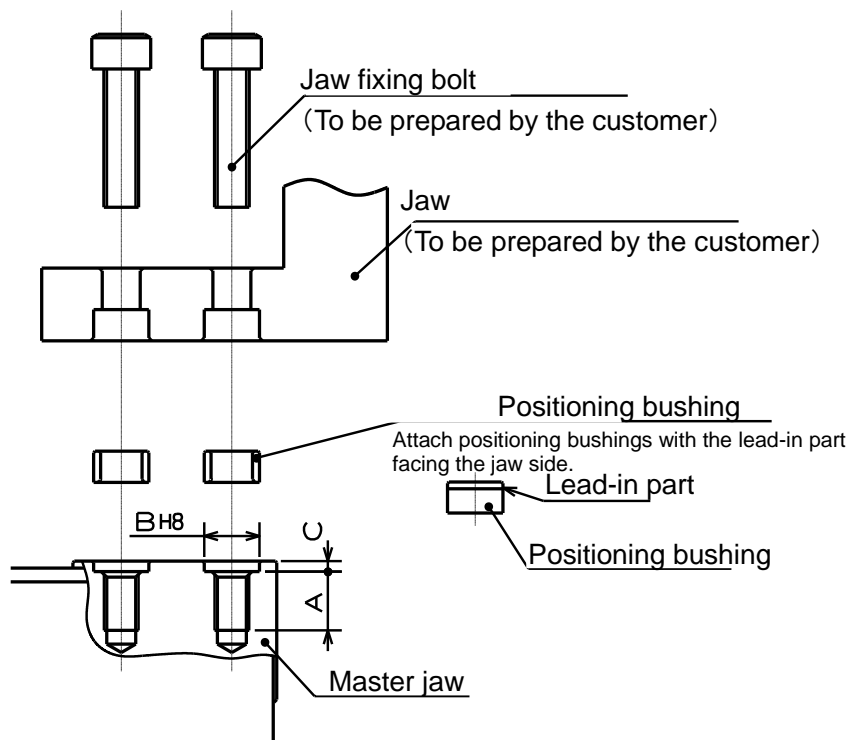
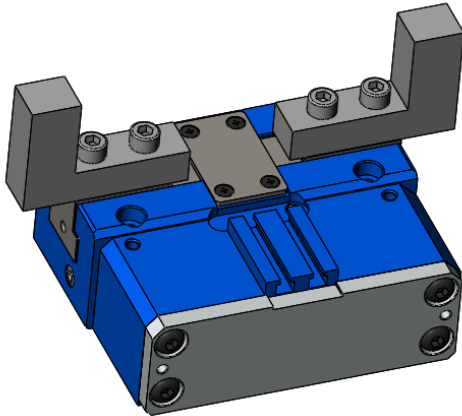


- Be sure to tighten the bolts with the specified torque. Lack of tightening torque or excessive torque could break the bolts, causing the gripper or conveyed workpiece to fly out.

6-2. Installing the jaws

Install the jaws using the two mounting bolt holes and the supplied positioning bushings.

The jaws and jaw fixing bolts are to be prepared by the customer.



Model		NP GT	08	10	12	12
Mounting Bolt	Size		M5	M6	M6	M10
	Thread depth	A (mm)	8.5	10	13	16
Positioning pin hole	Diameter (H8)	B (mm)	$\phi 8$	$\phi 10$	$\phi 10$	$\phi 14$
	Depth	C (mm)	1.5	2	2	3



- Be sure to tighten the bolts with the specified torque. Be sure to tighten the bolts with the specified torque. Lack of tightening torque or excessive torque could break the bolts, causing the jaws or conveyed workpiece to fly out.
- Before installing the jaws, disconnect the air piping.

6-3. Connecting the air piping

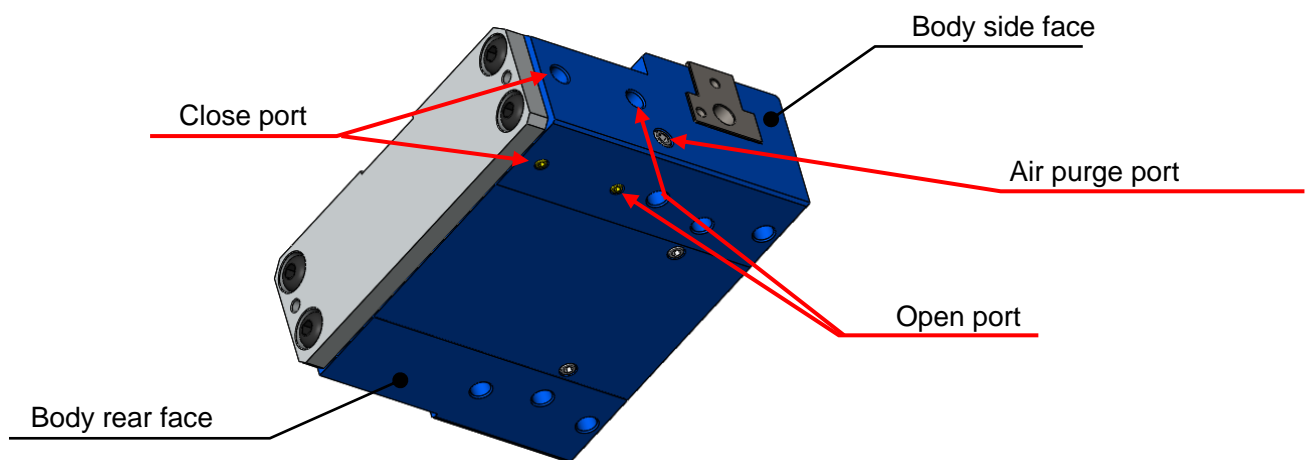
The air pressure supply ports to open and close the gripper jaws are provided on the side face and rear face of the body.

When using the supply port on the side face of the body, connect the air piping directly.

When using the supply port on the rear face of the body, remove the setscrew, which is attached at the delivery to prevent air leakage, and supply air from the adapter to fix the gripper.

The screws to close the open/close ports on the side face of the body are to be prepared by the customer.

Chips accumulating on the sliding parts of the master jaws can be removed by supplying air pressure from the air purge port on the side face of the body. However, grease is also discharged together at this time, and thus maintenance is required according to application.



Model	NPGT	08	10	12	16
Port size on body side face		M5	M5	M5	M5
Port size on body rear face		M3	M3	M5	M5
Air purge port size		M5	M5	M5	M5

NOTICE

- The setscrews in the air pressure supply ports on the body rear face are mounted with adhesive applied to them to prevent air leakage, so it is very difficult to remove them. Therefore, when removing the setscrews, be careful not to damage them.
- After removing the setscrews, take away adhesive fixed to the body screw hole clearly. Be careful not to drip the adhesive into the cylinder.

WARNING

- Be sure to shut off the air pressure before connecting the air piping.
- Use compressed air as the fluid.
- Do not use compressed air that contains chemicals, synthetic oils containing organic solvents, salt, or corrosive gases, as it may cause damage or malfunction.

CAUTION

- Use clean air that has passed through an air filter (filtration of 5 μm or less).
- Keep the fluid temperature and ambient temperature within the range of 5 to 60°C.
- Can be used without lubrication, but if lubricated, please use Class 1 turbine oil (no additives) ISO VG32.
- Select an after cooler, air dryer, mist separator, etc., according to ISO 8573-1 Class 4, and take measures against drainage.
- Adjust with a speed controller, etc. so that the opening/closing speed does not become faster than necessary.

6-4. Installing the switches

Use reed switches of the following models.

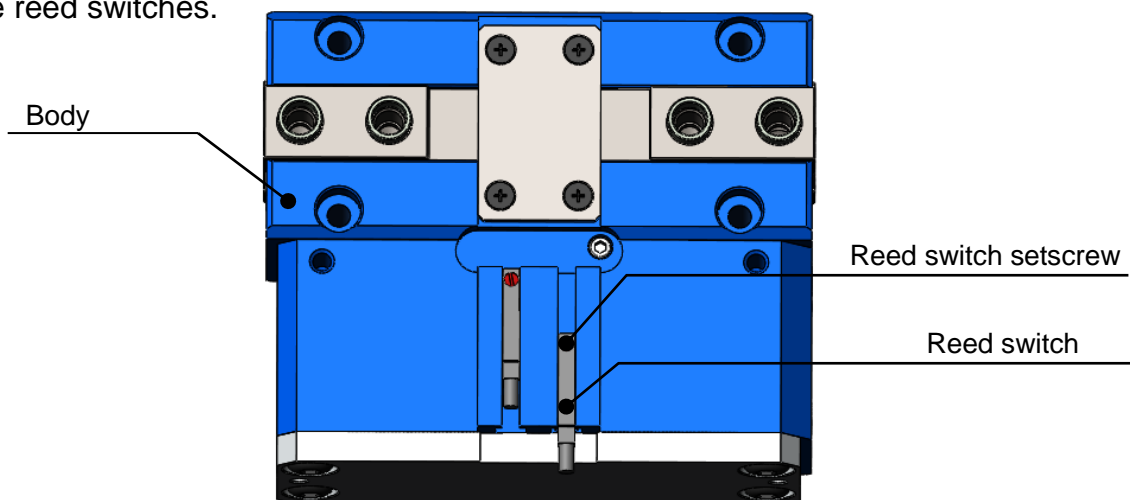
	CKD			SMC	
	Noncontact	2-wire system		Noncontact	2-wire system
Model	F2H	F2V	F2S	D-M9B	D-M9BV
Lead wire pull-out shape	Straight	L-shaped	L-shaped short	Straight	L-shaped

* Using reed switches not shown below may lead to unstable response.

① Installing the reed switch

Mount reed switches using the grooves on the body.

When using reed switches, design adaptors so that the adaptors will not interfere with the reed switches.



● Installation procedure for the close end side

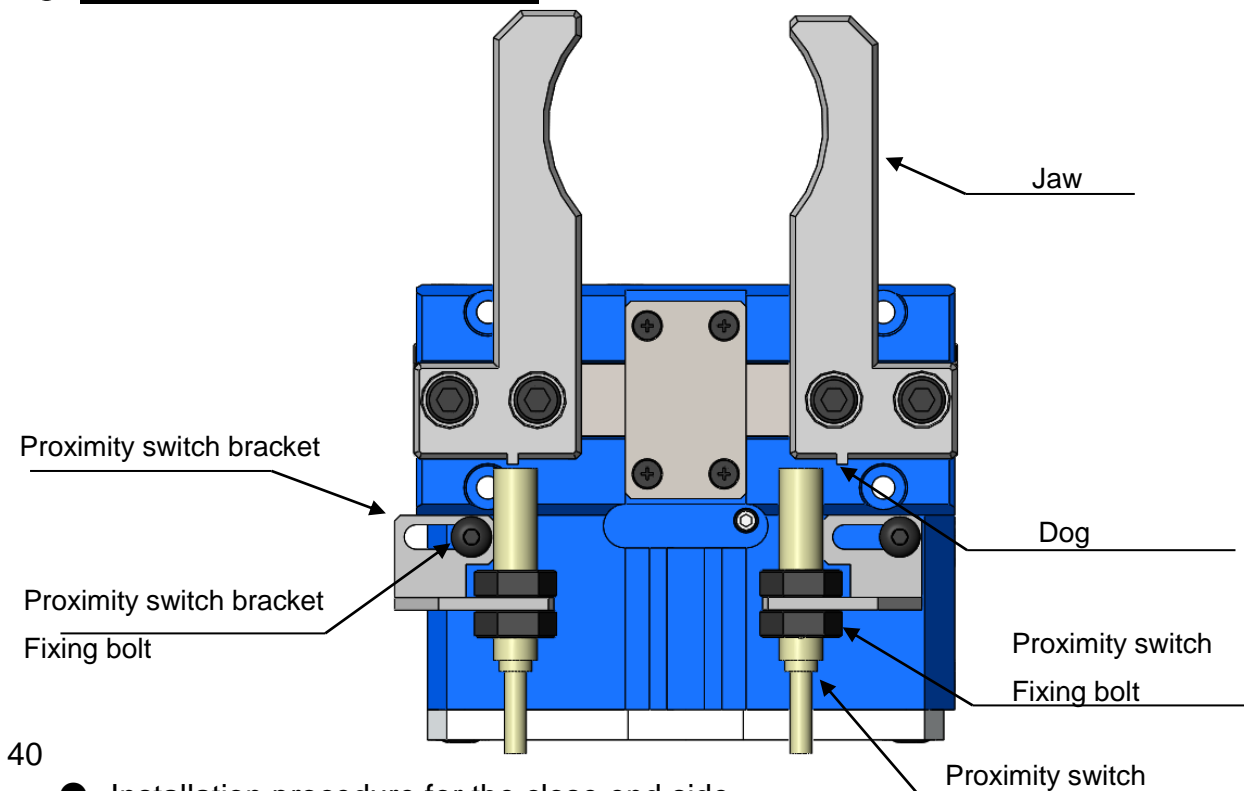
- ① Move the master jaws to the close end positions, respectively.
- ② Mount a reed switch using the groove on the body.
- ③ Move up and down the reed switch slowly.
- ④ Tighten and fix the setscrew provided on the reed switch at the position where the reed switch detected.
- ⑤ Repeat the opening/closing operation of the master jaws to confirm that the reed switch can detect.

*In the case of workpiece external gripping, make the above-mentioned adjustment with the workpiece gripped.

● Installation procedure for the open end side

- ① Move the master jaws to the open end positions, respectively.
- ② Mount a reed switch using the groove on the body.
- ③ Move up and down the reed switch slowly.
- ④ Tighten and fix the setscrew provided on the reed switch at the position where the reed switch detected.
- ⑤ Repeat the opening/closing operation of the master jaws to confirm that the reed switch can detect.

② Installing the proximity switch



● Installation procedure for the close end side

- ① Move the master jaws to the close end positions, respectively.
- ② Install the proximity switch using the proximity switch bracket.
- ③ Provide a dog on each jaw by making use of the jaw shape.
Move the proximity switch together with the bracket until it responds, and then fix it using the bolt.
* If the proximity switch does not respond, adjust the distance between the proximity switch and the dog.
- ④ Repeat the opening/closing operation of the master jaws to confirm that the proximity switch can detect the dog.

● Installation procedure for the open end side

- ① Move the master jaws to the open end positions, respectively.
- ② Install the proximity switch using the proximity switch bracket.
- ③ Provide a dog on each jaw by making use of the jaw shape.
Move the proximity switch together with the bracket until it responds, and then fix it using the bolt.
* If the proximity switch does not respond, adjust the distance between the proximity switch and the dog.
- ④ Repeat the opening/closing operation of the master jaws to confirm that the proximity switch can detect the dog.

NOTICE

If chips enter between the proximity switch and the proximity dog, it is recommended to install a proximity switch protection cover.

7. Maintenance and Checking

7-1. Periodic checking

- Before work or at the grease supply, move the jaws over full stroke to check that the stroke mentioned in the specification table is obtained.
- At the end of work, be sure to clean the gripper main body using an air gun.
- At least every three months, check that respective bolts have been tightened.

7-2. Maintenance interval

- The maintenance interval is 1 million cycles, and disassemble the gripper, and clean, replace the seals, apply grease, and reassemble the gripper.

7-3. Grease

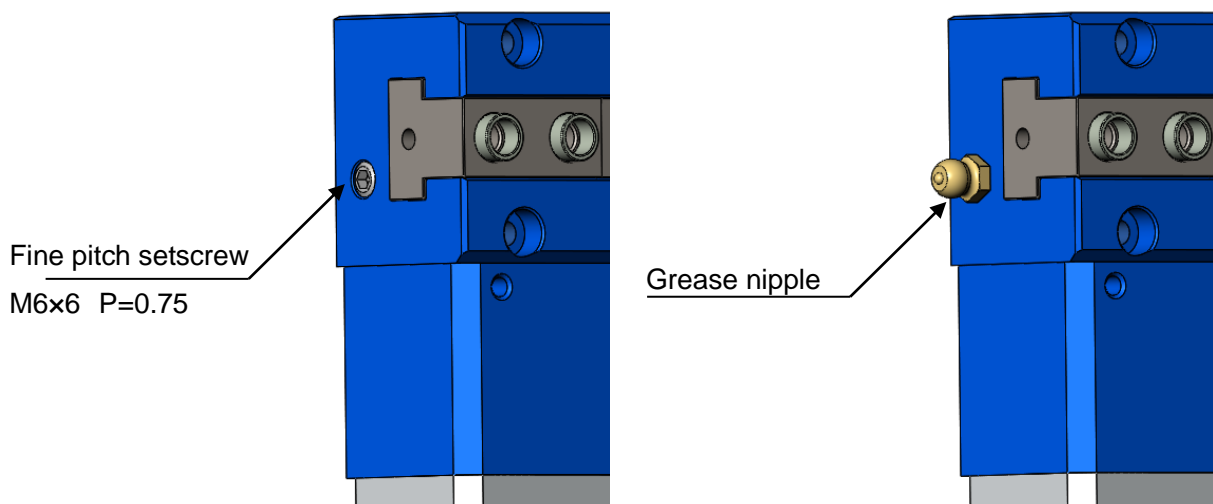
① Grease used

- Be sure to use the specified grease listed below. If unspecified grease is used, adequate effect may not be obtained.

Brand	Manufacturer
Klüberpaste 46 MR 401	Klüber Lubrication: Whole world Whole world
CHUCK GREASE PRO	Kitagawa genuine grease (Kitagawa sales agents in each country)

② Supplying method

- ① Remove the fine pitch setscrew (M6 x 6 P = 0.75) on the side face of the body. Then attach a grease nipple and supply the grease.
- ② After supplying the grease, move the master jaws several strokes without gripping anything to spread the grease.



③ Safety information on grease and antitrust oil

Applicable range

- Specified grease
- Antitrust agent applied to the product at the delivery

First-aid treatment

- **Aspiration:** In case of much aspiration, go to a place where there is fresh air, and cover your body with a blanket to keep your body warm. Consult a doctor if necessary.
- **Sticking to your skin:** Wipe off the oil, and wash your skin with water and soap. If you feel itchy or you get inflamed, consult a doctor immediately.
- **Entering your eye:** Wash your eye with fresh water for at least 15 minutes, and then consult a doctor.
- **Accidental drinking:** Consult a doctor immediately without vomiting forcibly.
- For the grease other than the specified one and antitrust oil prepared by the customer, refer to the safety information prepared for respective oils.

7—4. Air circuit maintenance

- Periodically drain the air filter, etc.
- If foreign matter such as carbonized compressor oil enters the circuit, the solenoid valve and robot hand will malfunction, so be careful when performing maintenance and inspection of the compressor.

7-5. Disassembly

Disassembly procedure

By referring to the parts list on page 6, disassemble the product through the procedure below:

- ① Stop the air pressure supplied to the gripper and disconnect the air piping.
- ② Remove the gripper from the robot or the loader.
- ③ Remove the rear cover fixing bolts (No. 208) and the rear cover (No. 2).
- ④ Remove the piston (No. 6) and the plunger (No. 3) together.
- ⑤ Remove the master jaw (No. 5).
- ⑥ Loosen the cover fixing bolts (No. 201) and remove the cover (No. 4).

Assembly procedure

By referring to the parts list on page 6, assemble the product through the procedure below:

- ① Insert the master jaw (No. 5) into the body (No. 1).
- ② Insert the piston (No. 6) and the plunger (No. 3) into the body (No. 1).
(Align the magnet position on the piston (No. 6) with the sensor groove.)
Adjust the engagement between the master jaw (No. 5) and the plunger (No. 3) while changing the position of the master jaw (No. 5).
- ③ Attach the rear cover (No. 2) to the body (No. 1) using the rear cover fixing bolts (No. 208).
- ④ Fix the cover (No.4) using the cover fixing bolts (No.201).
- ⑤ Install the gripper to the robot or the loader.
- ⑥ Connect the air pressure piping.

To reassemble the gripper, apply the specified grease to the sliding parts and the oil treatment to the seal sliding parts, and perform the reverse procedure of disassembly while checking that the seals do not protrude or fall.

Oil treatment used

Be sure to use the specified oil treatment shown below.

Brand	Manufacturer
S-10 Oil treatment	Napolex: Japan



- Be sure to tighten the bolts with the specified torque. Lack or tightening torque or excessive torque could break the bolts, causing the conveyed workpiece to fly out.

8. Troubleshooting

8-1. Problems and countermeasures

Check the following, and take corrective actions.

Symptom	Cause	Corrective actions
Gripper does not operate	Gripper internal part is broken.	Replace the gripper with a new one.
	Slideways get seized.	Disassemble, and correct the seized part with an oilstone, or replace the gripper with a new one.
	The piston does not operate.	Check that the air pressure is within the operating pressure range.
		Check for air leakage.
		Check the piping and solenoid valve, and if normal, disassemble and clean the cylinder.
The switch is faulty or installed incorrectly.	Check that the switch can detect normally.	
Lack of master jaw stroke	Much dust exists in master jaws.	Disassemble the gripper, clean it, replace the seals, and apply grease.
Low gripping force	Low air pressure	Check that the air pressure is within the operating pressure range.
	Air leaks from the seal.	Disassemble the gripper, clean it, replace the seals, and apply grease.
	Master jaw movements are not smooth.	Remove the cover and supply grease, and open and close the master jaws several times without gripping any conveyed workpiece.
		Disassemble the gripper, clean it, and apply grease.

WARNING

- If the gripper failed due to a seizure or damage, disassemble the gripper following the disassembly procedure. If the gripper is in the state that you cannot disassemble, do not disassemble it forcibly but please contact us or our agents.
- Stop using the gripper immediately if the situations are not improved though corrective actions given in above table were taken. Continuous use of faulty product or part could cause serious human accidents due to flying gripper or conveyed workpiece.
- The gripper must be repaired only by skilled persons who have received the training course. Repair by unskilled persons or persons other than us or our agents could cause serious human accidents.

8-2. Contact address in case of trouble

Please get in touch with our sales agent from which you purchased the gripper or our office when the gripper troubled.

9. Others

9-1. Standards and directives to which the gripper conforms

This product conforms to the following standards and directives:

- Machinery Directive:2006/42/EC Annex I
- EN ISO 12100:2010

9-2. Disposal of gripper

Dispose of this unit in accordance with the laws and regulations of your country.

Kitagawa Corporation Kitagawa Global hand Company

77-1,Motomachi,Fuchu-shi,Hiroshima,726-8610,Japan

Tel. +81-847-40-0561

Fax. +81-847-45-8911

■ JAPAN DOMESTIC

Tokyo office	1-405-1,Kita-ku,Yosino-cho,Saitama-shi,Saitama,331-9634,JAPAN Tel. +81-48-667-3469 Fax. +81-48-663-4678
Sendai office	4-15-13,Yamatomachi,Wakabayashi-ku,Sendai-shi,Miyagi,984-0042,Japan Tel. +81-22-232-6732 Fax. +81-22-232-6739
Nagoya office	2-62,Kamitakabata,Nakagawa-ku,Nagoya-shi,Aichi,454-0873,Japan Tel. +81-52-363-0371 Fax. +81-52-362-0690
Osaka office	3-2-9,Kitakagaya,Suminoe-ku,Osaka-shi,Osaka,559-0011,Japan Tel. +81-6-6685-9065 Fax. +81-6-6684-2025
Hiroshima office	77-1,Motomachi,Fuchu-shi,Hiroshima,726-8610,Japan Tel. +81-847-40-0541 Fax. +81-847-46-1721
Kyushu office	7-6-39,Itazuke,Hakata-ku,Fukuoka-shi,Fukuoka,812-0888,Japan Tel. +81-92-501-2102 Fax. +81-92-501-2103
Overseas office	77-1,Motomachi,Fuchu-shi,Hiroshima,726-8610,Japan Tel. +81-847-40-0526 Fax. +81-847-45-8911

■ OVERSEAS

America Contact	KITAGAWA-NORTHTECH INC. https://www.kitagawa.us 301 E. Commerce Dr,Schaumburg,IL. 60173 USA Tel. +1 847-310-8787 Fax. +1 847-310-9484
	KITAGAWA EUROPE LTD. https://www.kitagawa.global/en Unit 1 The Headlands,Downton,Salisbury,Wiltshire SP5 3JJ,United Kingdom Tel. +44 1725-514000 Fax. +44 1725-514001
Europe Contact	KITAGAWA EUROPE GmbH https://www.kitagawa.global/de Borsigstrasse 3,40880,Ratingen Germany Tel. +49 2102-123-78-00 Fax. +49 2102-123-78-69
	KITAGAWA EUROPE GmbH Poland Office https://www.kitagawa.global/pl 44-240 Zory,ul. Niepodleglosci 3 Poland Tel. +48 607-39-8855
	KITAGAWA EUROPE GmbH Czech Office https://www.kitagawa.global/cz Purkynova 125,612 00 Brno,Czech Republic Tel. +420 603-856-122 Fax. +420 549-273-246
	KITAGAWA EUROPE GmbH Romania Office https://www.kitagawa.global/ro Strada Heliului 15,Bucharest 1,013991,Romania Tel. +40 727-770-329
	KITAGAWA EUROPE GmbH Hungary Office http://www.kitagawa.global/hu Dery T.u.5,H-9024 Gyor,Hungary Tel. +36 30-510-3550
	KITAGAWA INDIA PVT LTD. https://www.kitagawa.global/in Plot No 42, 2nd Phase Jigani Industrial Area, Jigani, Bangalore – 560105, Karnataka, India Tel. +91-80-2976-5200 Fax. +91-80-2976-5205
Asia Contact	KITAGAWA (THAILAND) CO., LTD. Bangkok Branch 9th FL,Home Place Office Building,283/43 Sukhumvit 55Rd. (Thonglor 13),Klongton-Nua,Wattana,Bangkok 10110,Thailand Tel. +66 2-712-7479 Fax. +66 2-712-7481
	Kitagawa Corporation(Shanghai) https://www.kitagawa.com.cn/ Room308 3F Building B. Far East International Plaza,No.317 Xian Xia Road,Chang Ning,Shanghai,200051,China Tel. +86 21-6295-5772 Fax. +86 21-6295-5792
	Kitagawa Corporation(Shanghai) Guangzhou Office B07.25/F,West Tower,Yangcheng International Trading Centre,No.122 East Tiyu Road,Tianhe District,Guangzhou,China Tel.+86 20-2885-5276
	DEAMARK LIMITED http://www.deamark.com.tw No. 6,Lane 5,Lin Sen North Road,Taipei,Taiwan Tel. +886 2-2393-1221 Fax. +886 2-2395-1231
	KITAGAWA KOREA AGENT CO., LTD. http://www.kitagawa.co.kr 803 Ho,B-Dong,Woolim Lion's Valley,371-28 Gasan-Dong,Gumcheon-Gu,Seoul,Korea Tel. +82 2-2026-2222 Fax. +82 2-2026-2113
Oceania Contact	DIMAC TOOLING PTY. LTD. http://www.dimac.com.au 69-71 Williams Rd,Dandenong South,Victoria,3175 Australia Tel. +61 3-9561-6155 Fax. +61 3-9561-6705

The products herein are controlled under Japanese Foreign Exchange and Foreign Trade Control Act.
 In the event of importing and/or exporting the products, you are obliged to consult KITAGAWA as well as your government for the related regulation prior to any transaction.