

## 1-4 Parts list

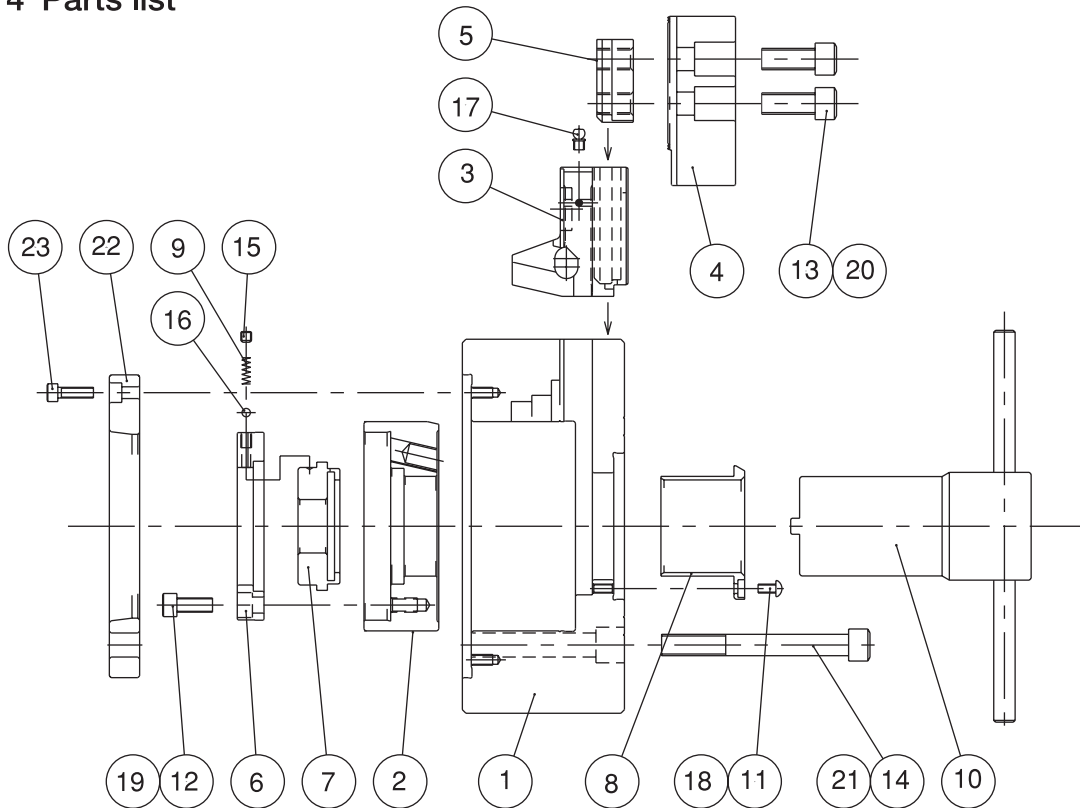


Fig.4

Table 1

No.	Part name	Quantity	No.	Part name	Quantity
1	Body	1	13	Jaw attaching bolt	4 or 6
2	Wedge plunger	1	14	Chuck attaching bolt	3or4or6
3	Master jaw	2 or 3	15	Set screw	1
4	Soft jaw	2 or 3	16	Steel ball	1
5	T nut	2 or 3	17	Grease nipple	2 or 3
6	Plunger nut	1	18	Hex key	1
7	Draw nut	1	19	Hex key	1
8	Cover	1	20	Hex key	1
9	Coil spring	1	21	Hex key	1
10	Handle	1			
11	Socket head button screw	3 or 4	22	Back plate	1
12	Socket head cap screw	6	23	Socket head cap screw	3or4or6

22, 23 are only supplied if there is a back plate.